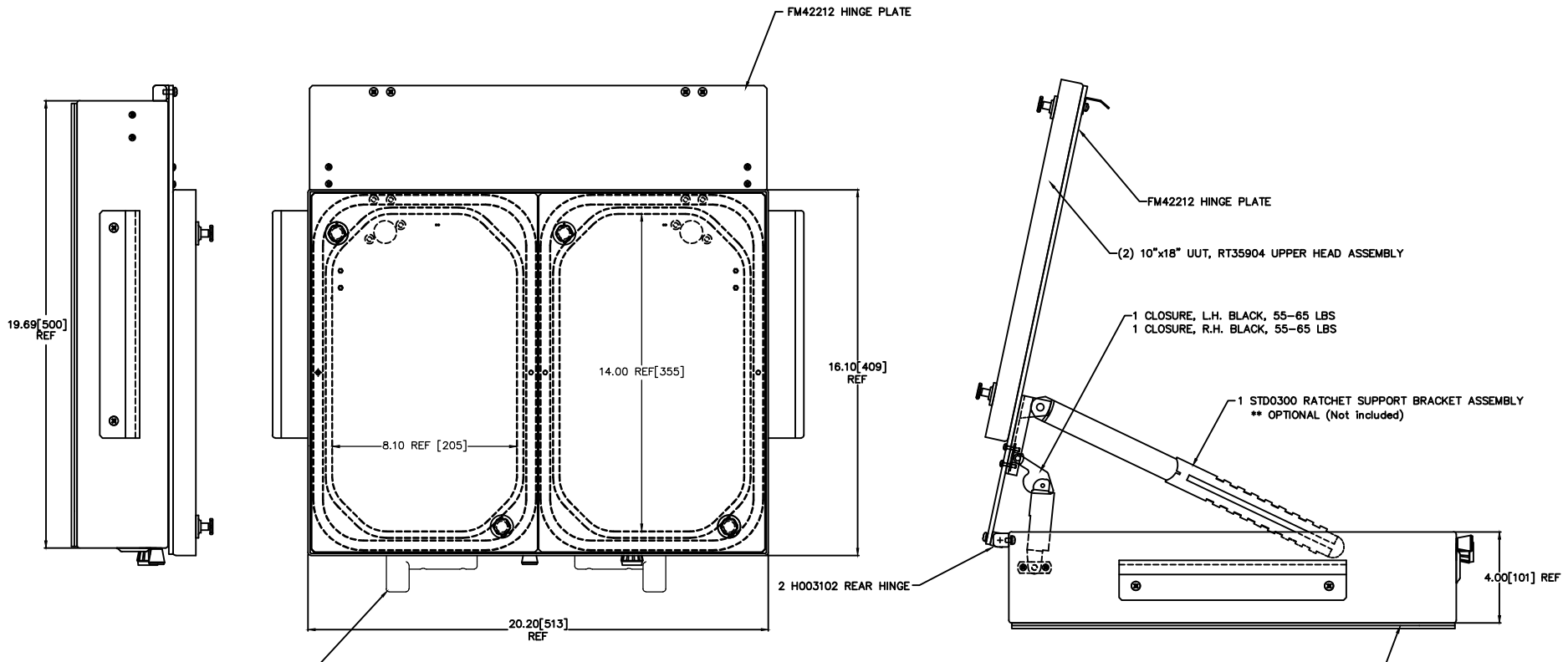
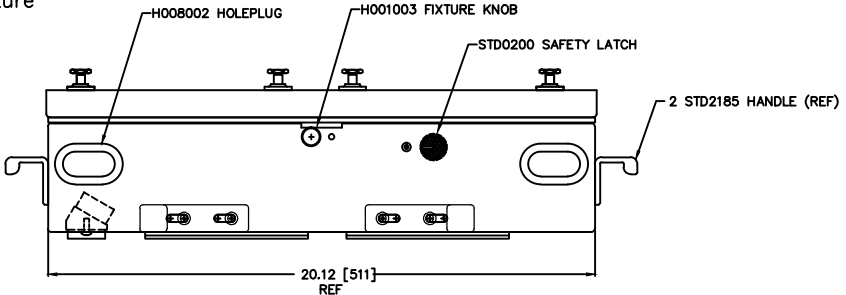


REVISIONS			
LTR	DESCRIPTION	DATE	APPROVED
A	RELEASE TO PRODUCTION	09/25/2013	JRA



TSo System Rough Locators  
(Install and Adjust when fixture  
is on Tester for 1st time!!)  
ONLY need to perform this  
task, once.



UNLESS OTHERWISE SPECIFIED DIMENSIONS ARE IN INCHES (MM) TOLERANCES ARE: .XX .XXX ANGLES ±.015 ±.005 ±1/2"		H+W TEST PRODUCTS SEEKONK, MASSACHUSETTS	
MATERIAL SEE BOM		D/W FIXTURE ASSEMBLY TSo/TSa SERIES, G5 16x20"	
FINISH NONE	SIZE E	FSCM NO. DRAWING NO. RT35004	REV. A
DO NOT SCALE DRAWING		SCALE FULL	DRAWN JRA 09/25/2013 SHEET 1 OF 1

PROPRIETARY INFORMATION  
NO COPYING, NOR DISTRIBUTION, NOR USE OF TO  
REPRODUCE OR MANUFACTURE PARTS, WITHOUT  
WRITTEN PERMISSION OF H+W TEST PRODUCTS

FILE NO.  
RT35004A