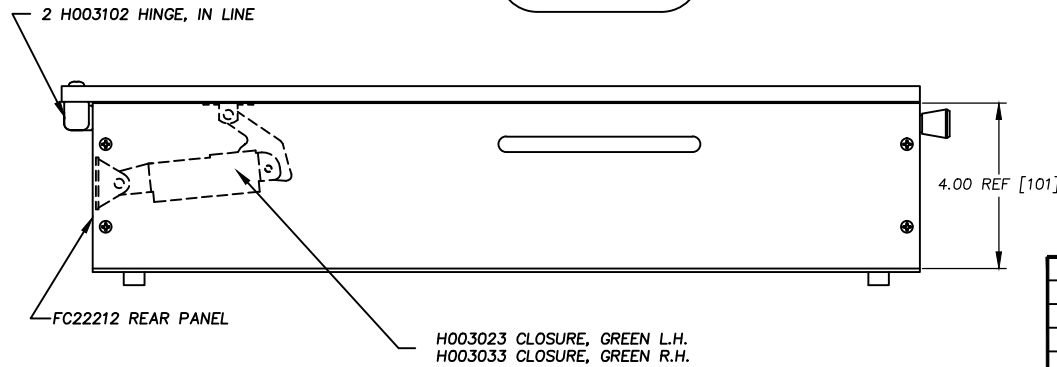
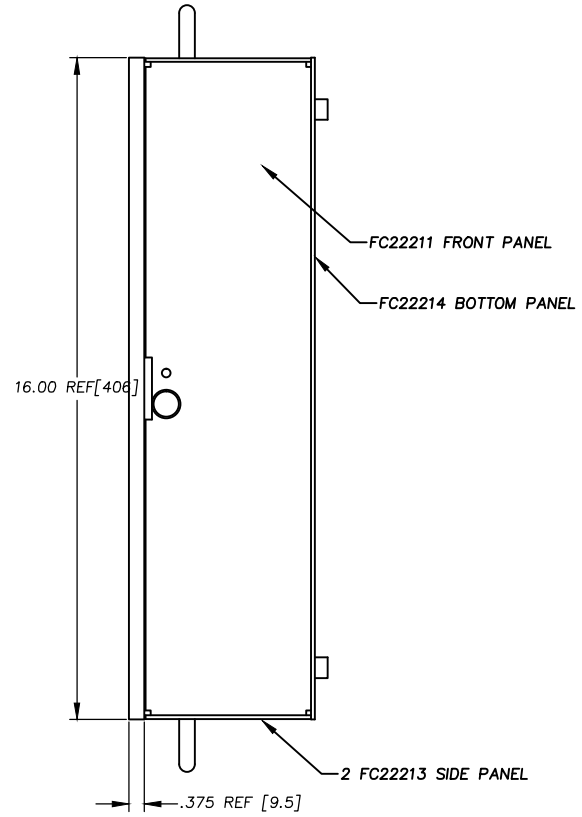
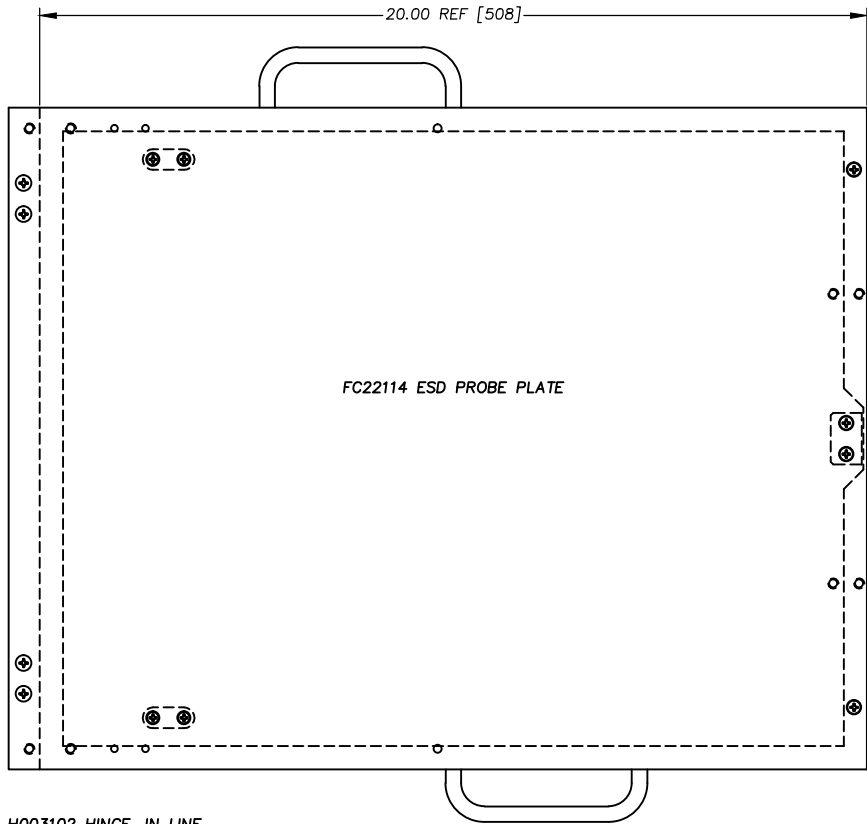


REVISIONS			
REV.	DESCRIPTION	DATE	APPROVED
A	RELEASE TO PRODUCTION	05/21/2012	JRA



		UNLESS OTHERWISE SPECIFIED DIMENSIONS ARE IN INCHES (MM) TOLERANCES ARE: .XX .XXX ANGLES ± 0.010 ± 0.005 ± 1/2°		H&W TEST PRODUCTS SEEKONK, MASSACHUSETTS ADAPTER BOX, ESD 16x20 MECHANICAL KIT	
		MATERIAL SEE NOTES			
NEXT ASSY		USED ON		FINISH SEE NOTES	SIZE FSCM NO.
					DWG. NO.
					FC22043
					REV.
					A
APPLICATION		DO NOT SCALE DRAWING		SCALE FULL	DRAWN JRA 05/21/2012 SHEET 1 OF 1

FILE NO.
FC22043A