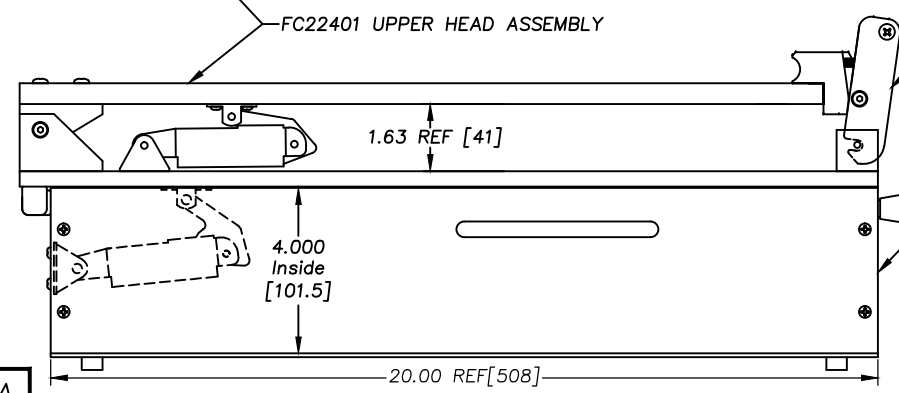
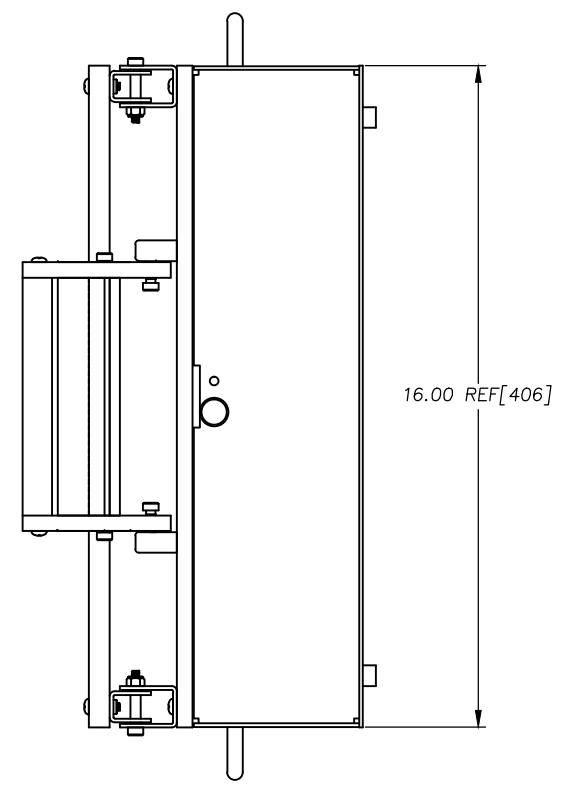
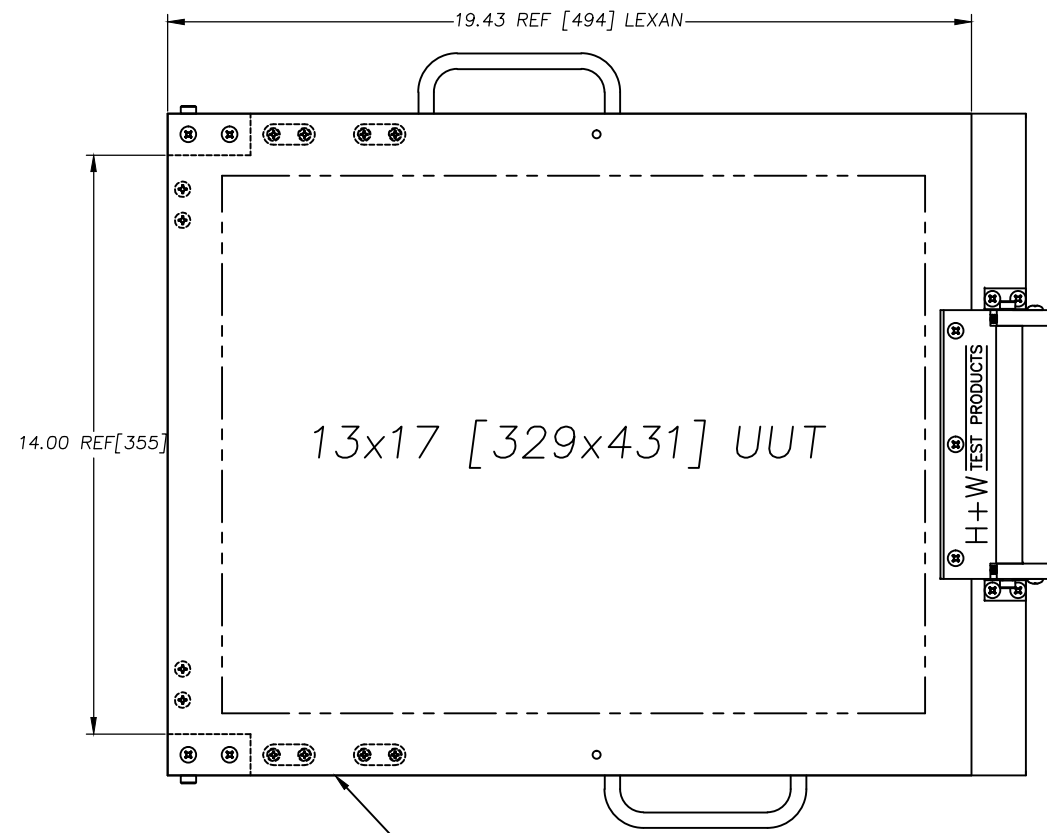


REVISIONS			
REV.	DESCRIPTION	DATE	APPROVED
A	RELEASE TO PRODUCTION	02/16/2000	JAG



FC22401 UPPER HEAD ASSEMBLY

FC20403 8" LATCH ASSEMBLY (REF.)

FC22201 BASE PAN ASSEMBLY

FILE NO.
FC22001A

		UNLESS OTHERWISE SPECIFIED DIMENSIONS ARE IN INCHES (MM) TOLERANCES ARE:		H+W TEST PRODUCTS SEEKONK, MASSACHUSETTS FIXTURE ASSEMBLY 16x20 MECHANICAL KIT	
		.XX	.XXX		
		± 0.010	± 0.005	± 1/2°	
		MATERIAL		SEE NOTES	
		FINISH		SEE NOTES	
SIZE	FSCM NO.	DWG. NO.	REV.		
D		FC22001	A		
APPLICATION	DO NOT SCALE DRAWING		SCALE FULL	DRAWN JAG	02/16/2000 SHEET 1 OF 1