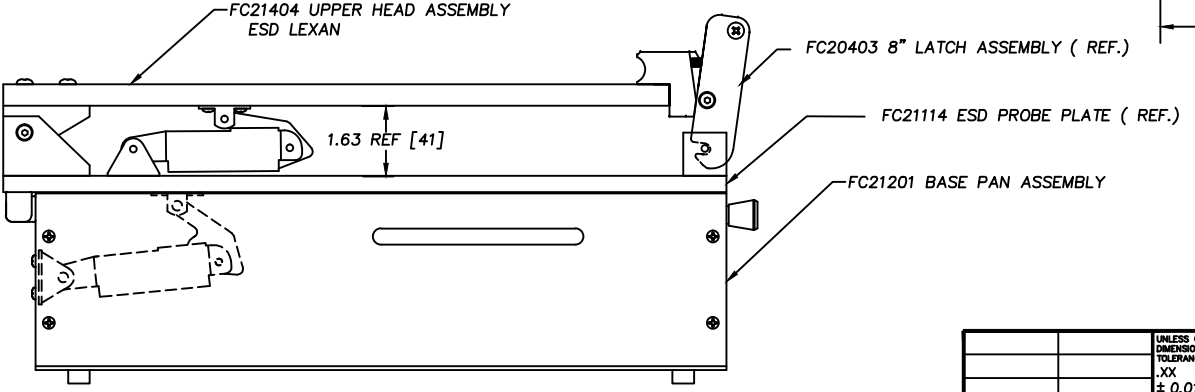
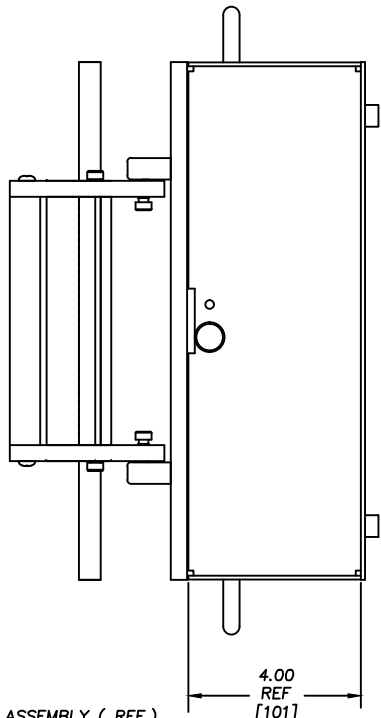
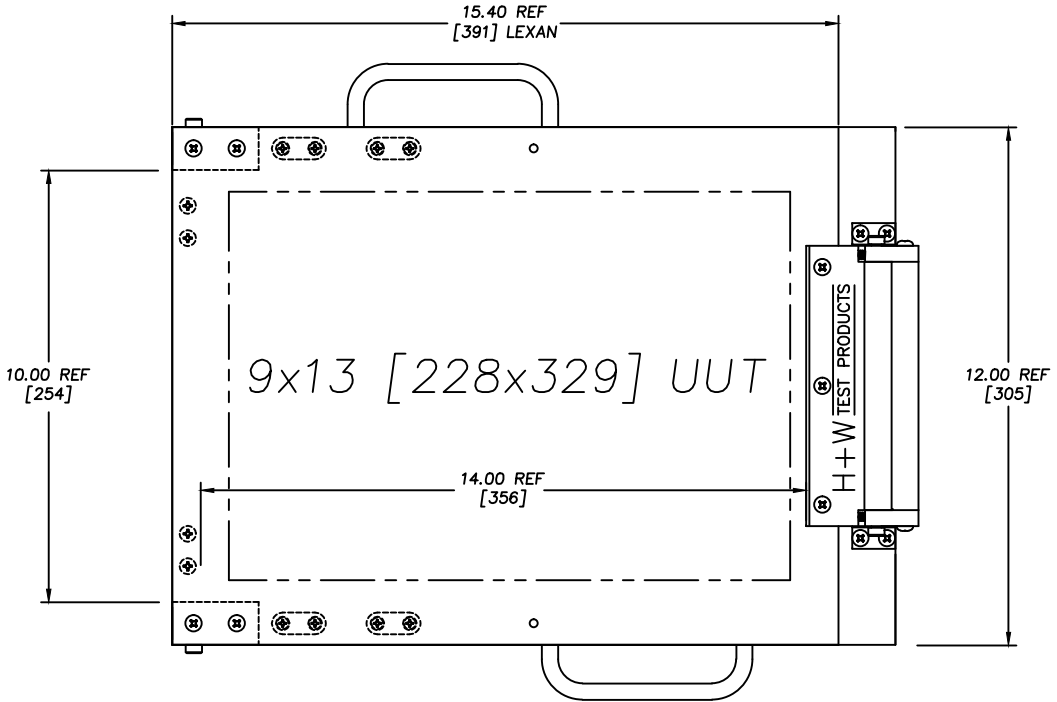


REVISIONS			
REV.	DESCRIPTION	DATE	APPROVED
A	RELEASE TO PRODUCTION	05/21/2012	JRA



FILE NO.
FC21044A

		UNLESS OTHERWISE SPECIFIED DIMENSIONS ARE IN INCHES (MM) TOLERANCES ARE:		H+W TEST PRODUCTS SEEKONK, MASSACHUSETTS FIXTURE ASSEMBLY, ESD 12x16 MECHANICAL KIT	
		.XX	.XXX		
		± 0.010 ± 0.005		± 1/2°	
		MATERIAL		SEE NOTES	
		FINISH		SEE NOTES	
NEXT ASSY	USED ON			SIZE	FSCM NO.
				D	
APPLICATION		DO NOT SCALE DRAWING		DWG. NO.	REV.
				FC21044	A
				SCALE FULL	DRAWN JRA 05/21/2012 SHEET 1 OF 1