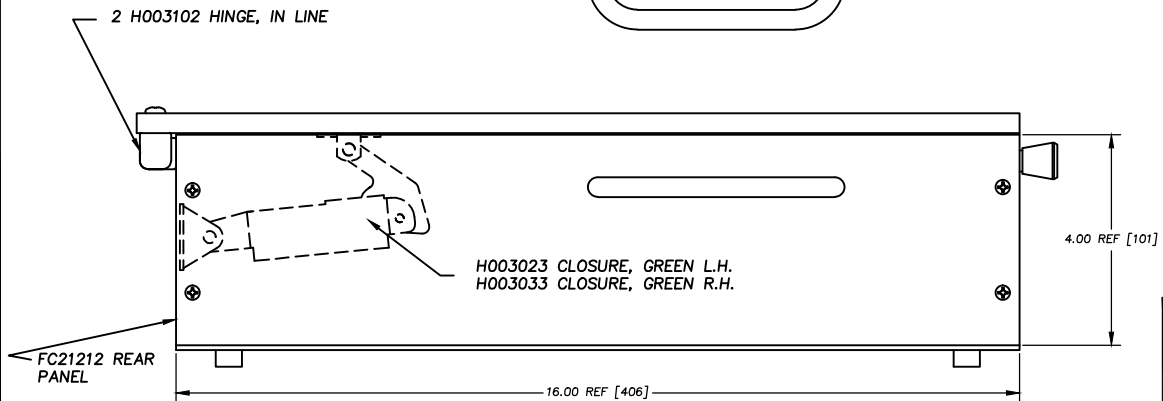
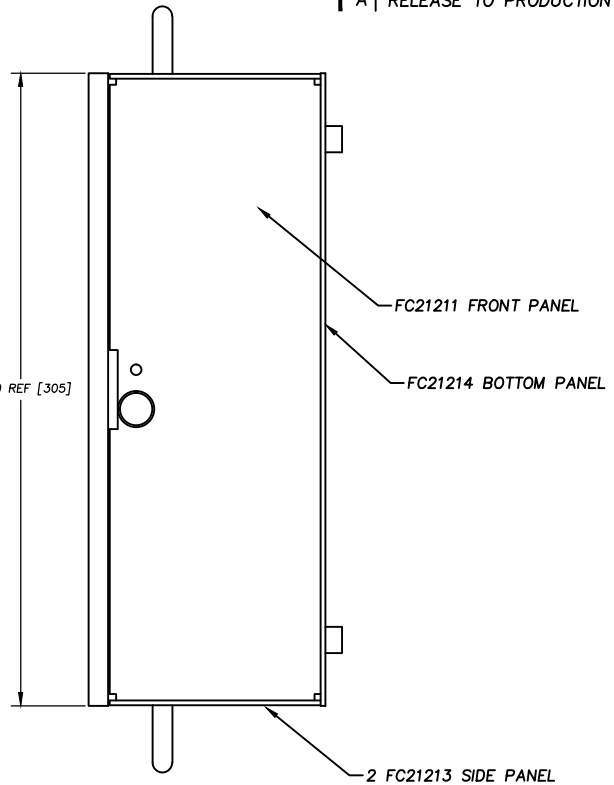
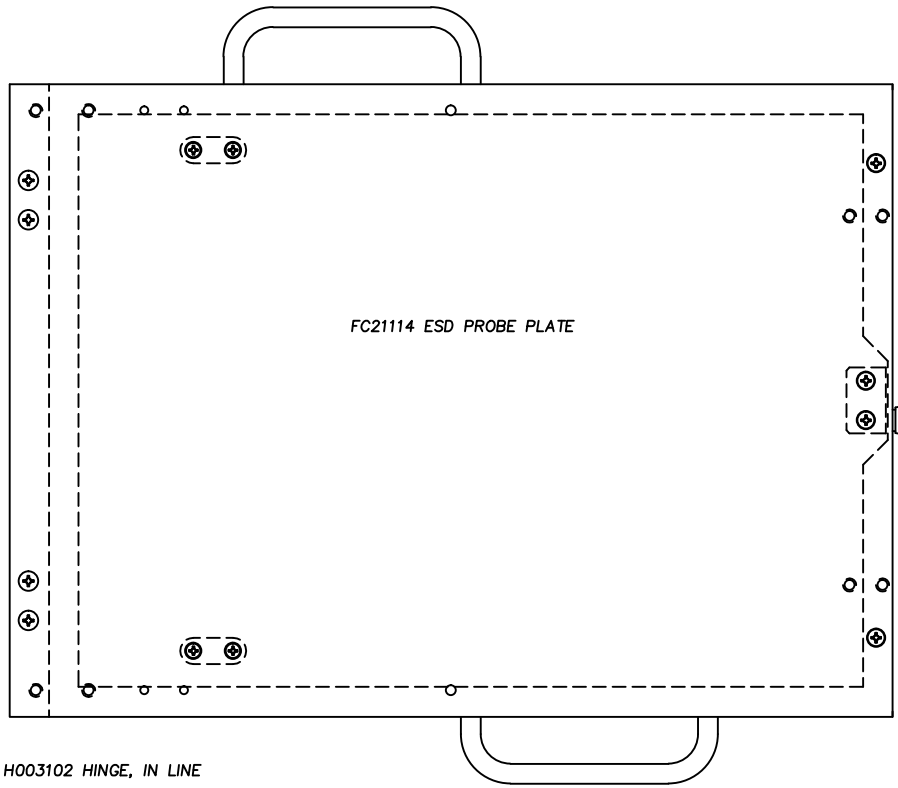


REVISIONS			
REV.	DESCRIPTION	DATE	APPROVED
A	RELEASE TO PRODUCTION	05/21/2012	JRA



UNLESS OTHERWISE SPECIFIED DIMENSIONS ARE IN INCHES (MM) TOLERANCES ARE: .XX .XXX ANGLES ± 0.010 ± 0.005 ± 1/2°		H+W TEST PRODUCTS SEEKONK, MASSACHUSETTS	
MATERIAL SEE BILL OF MATERIALS		BASE ASSEMBLY, ESD 12x16 MECHANICAL KIT	
FINISH NONE	SIZE D	FSCM NO.	DWG. NO. FC21043
REVISIONS A	REV. A	SCALE FULL	DRAWN JRA
APPLICATION DO NOT SCALE DRAWING	DATE 05/21/2012	SHEET 1 OF 1	

FILE NO.
FC21043A