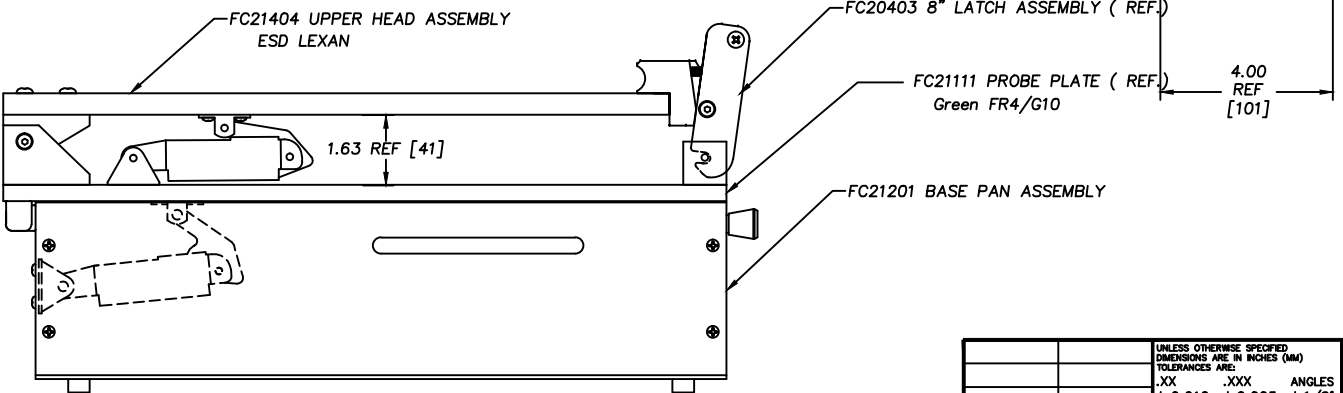
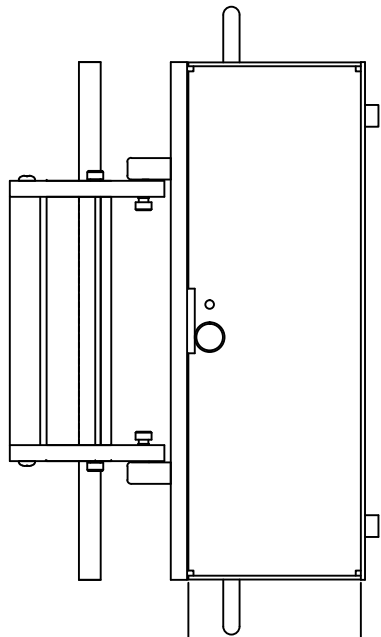
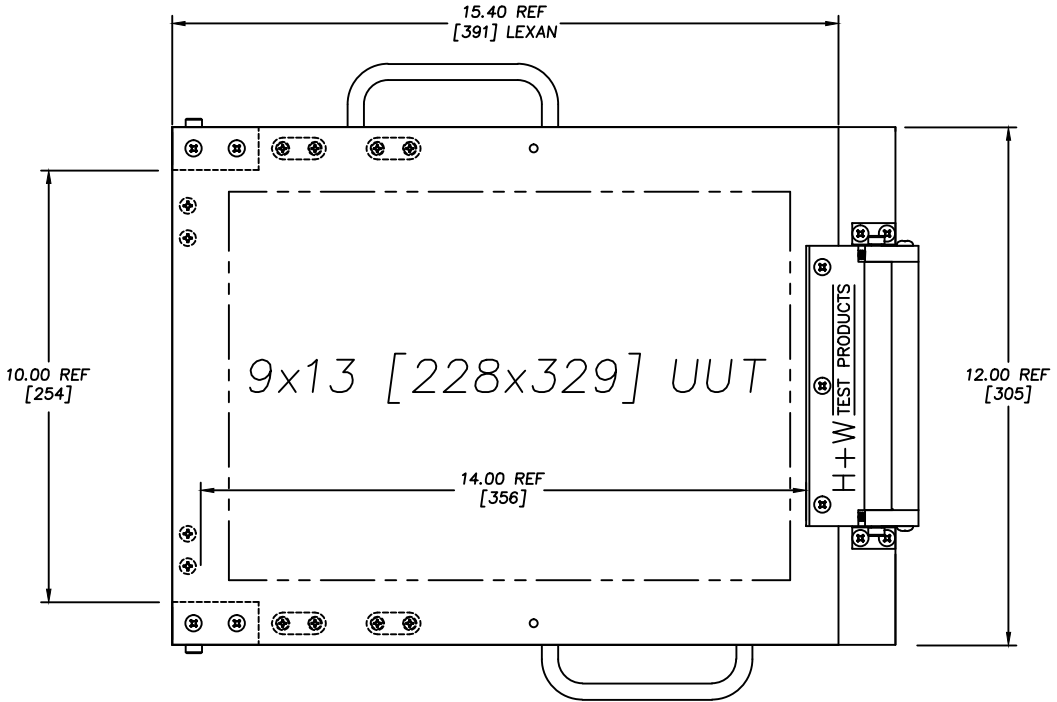


REVISIONS			
REV.	DESCRIPTION	DATE	APPROVED
A	RELEASE TO PRODUCTION	05/21/2012	JRA



FILE NO.  
FC21004A

		UNLESS OTHERWISE SPECIFIED DIMENSIONS ARE IN INCHES (MM) TOLERANCES ARE:		<b>H+W TEST PRODUCTS</b> SEEKONK, MASSACHUSETTS <b>FIXTURE ASSEMBLY, ESD          12x16 MECHANICAL KIT</b>	
		.XX	.XXX		
		± 0.010 ± 0.005		± 1/2°	
		MATERIAL		SEE NOTES	
		FINISH		SEE NOTES	
NEXT ASSY	USED ON			SIZE	FSCM NO.
				D	
APPLICATION		DO NOT SCALE DRAWING		DWG. NO.	REV.
				FC21004	A
		SCALE FULL		DRAWN JRA	05/21/2012
				SHEET 1	OF 1