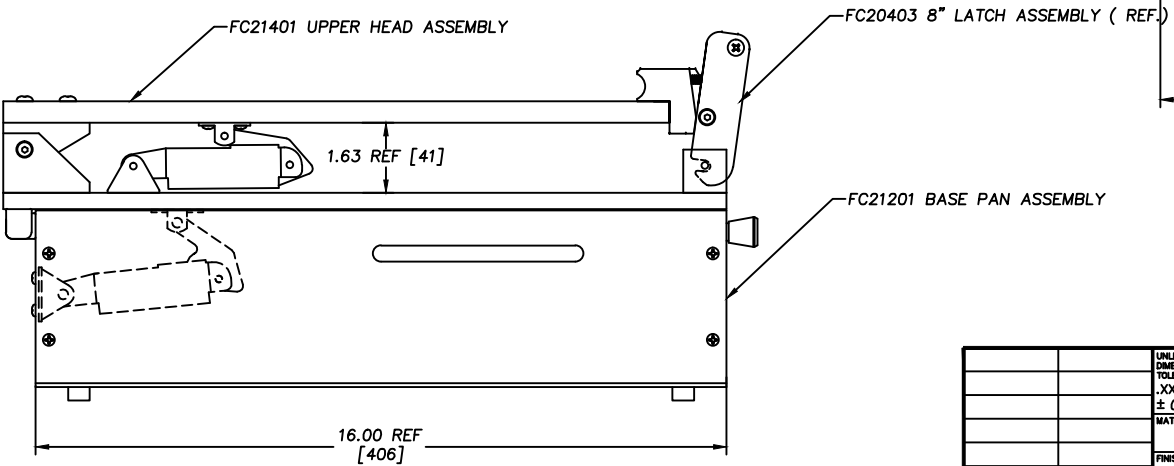
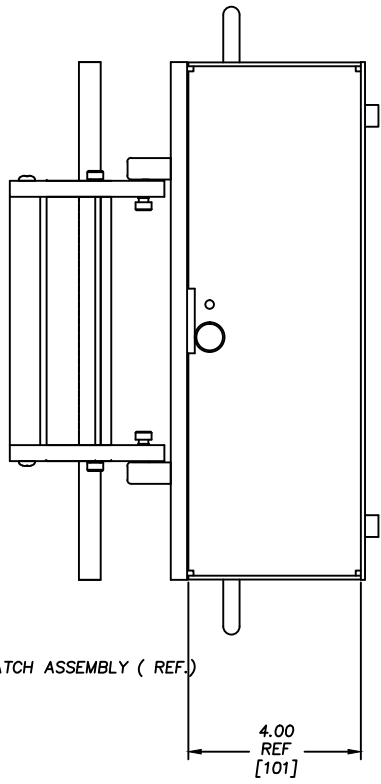
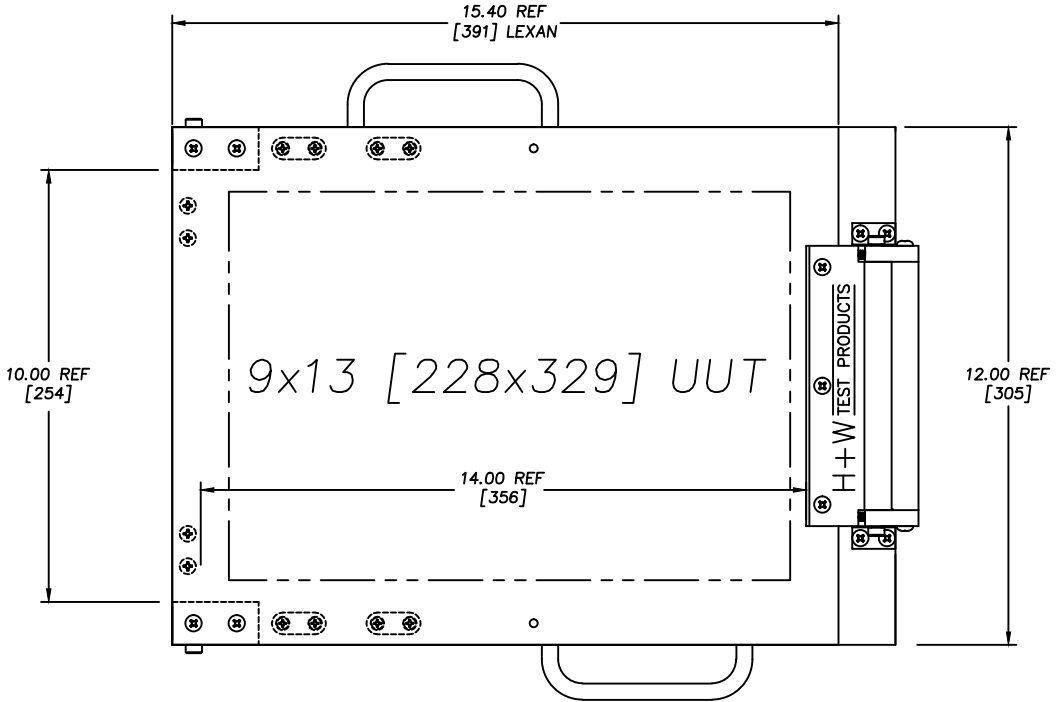


REVISIONS			
REV.	DESCRIPTION	DATE	APPROVED
A	RELEASE TO PRODUCTION	02/16/2000	JAG



FILE NO. FC21001A

		UNLESS OTHERWISE SPECIFIED DIMENSIONS ARE IN INCHES (MM) TOLERANCES ARE:		H+W TEST PRODUCTS SEEKONK, MASSACHUSETTS	
		.XX .XXX ANGLES	FIXTURE ASSEMBLY 12x16 MECHANICAL KIT		
		± 0.010 ± 0.005 ± 1/2°		SIZE	FSCM NO.
		MATERIAL SEE NOTES		D	
		FINISH SEE NOTES		DWG. NO.	FC21001
NEXT ASSY	USED ON			REV.	A
APPLICATION		DO NOT SCALE DRAWING		SCALE	FULL
				DRAWN	JAG 02/16/2000
				SHEET	1 OF 1