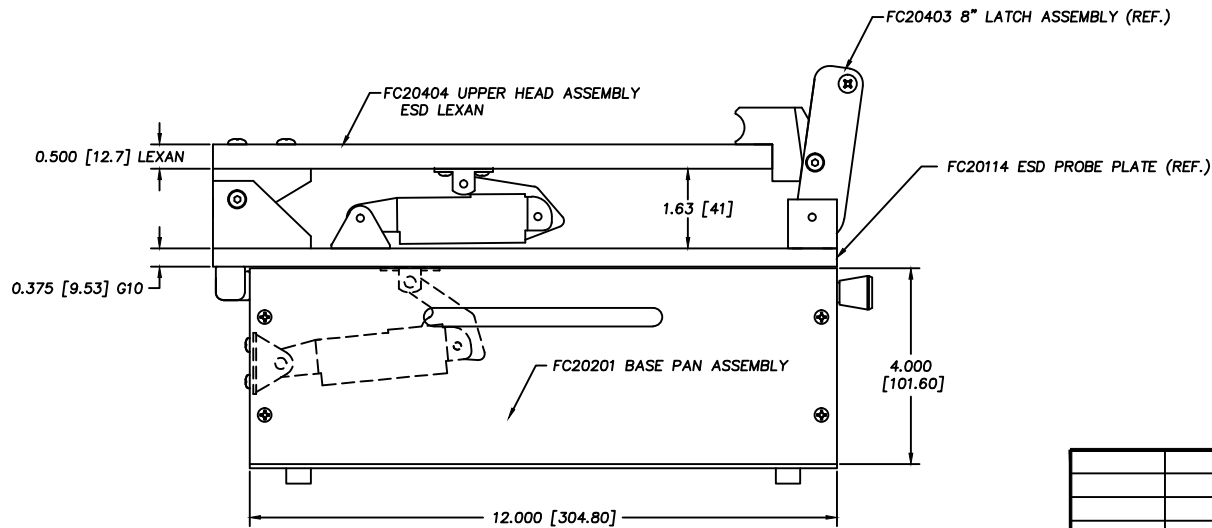
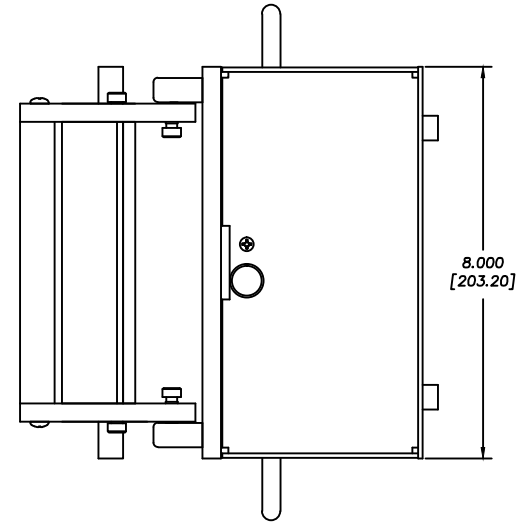
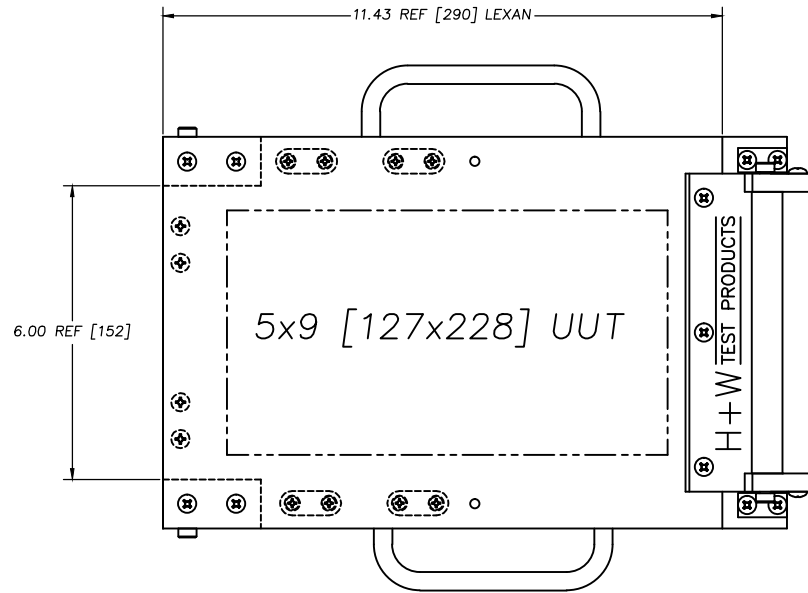


REVISIONS			
REV.	DESCRIPTION	DATE	APPROVED
A	RELEASE TO PRODUCTION	05/21/2012	JRA



FILE NO.
FC20044A

		UNLESS OTHERWISE SPECIFIED DIMENSIONS ARE IN INCHES (MM) TOLERANCES ARE: .XX .XXX ANGLES ± 0.010 ± 0.005 ± 1/2	H+W TEST PRODUCTS SEEKONK, MASSACHUSETTS	
		MATERIAL SEE NOTES	FIXTURE ASSEMBLY, ESD 8x12 MECHANICAL KIT	
		FINISH SEE NOTES	SIZE FSCM NO. D	DWG. NO. FC20044
NEXT ASSY	USED ON	SEE NOTES	REV. A	
APPLICATION		DO NOT SCALE DRAWING	SCALE FULL	DRAWN JRA 05/21/2012 SHEET 1 OF 1