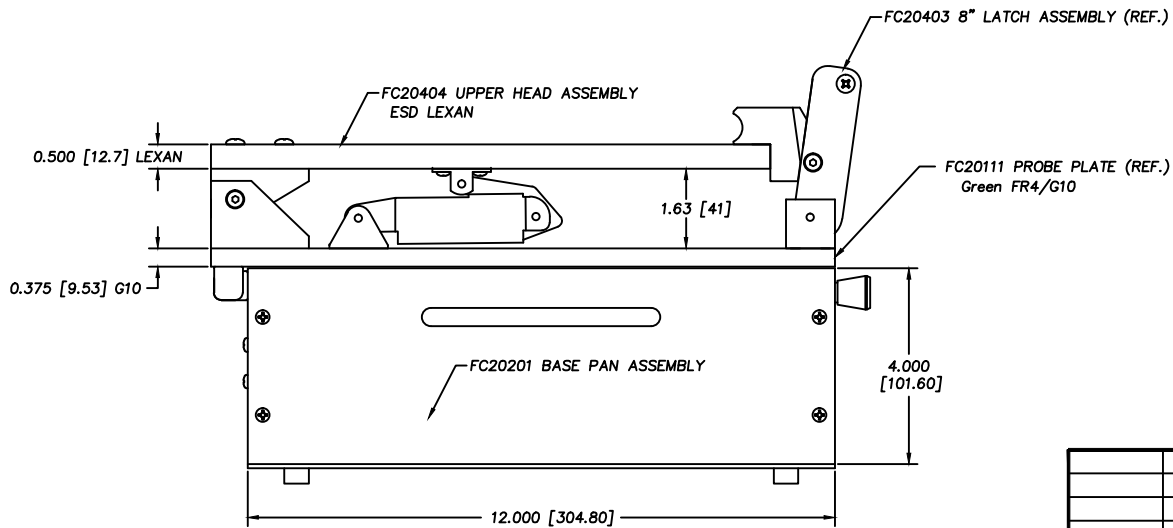
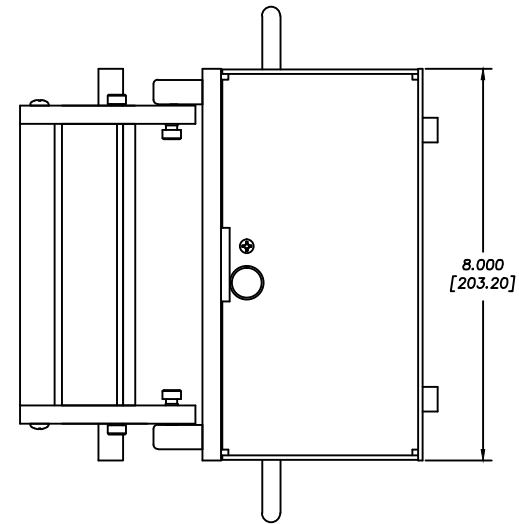
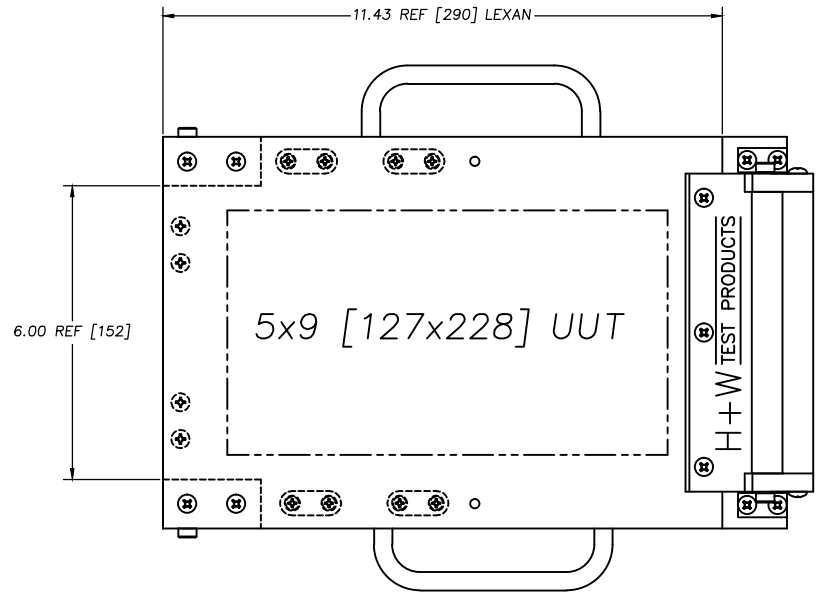


REVISIONS			
REV.	DESCRIPTION	DATE	APPROVED
A	RELEASE TO PRODUCTION	05/21/2012	JRA



FILE NO.
FC20004A

		UNLESS OTHERWISE SPECIFIED DIMENSIONS ARE IN INCHES (MM) TOLERANCES ARE:		H+W TEST PRODUCTS SEEKONK, MASSACHUSETTS FIXTURE ASSEMBLY, ESD 8x12 MECHANICAL KIT	
		.XX	.XXX		
		± 0.010 ± 0.005		± 1/2	
		MATERIAL		SEE NOTES	
		FINISH		SEE NOTES	
NEXT ASSY		USED ON		SIZE	FSCM NO.
				D	
				DWG. NO.	REV.
				FC20004	A
APPLICATION		DO NOT SCALE DRAWING		SCALE	FULL
				DRAWN	JRA 05/21/2012
				SHEET	1 OF 1