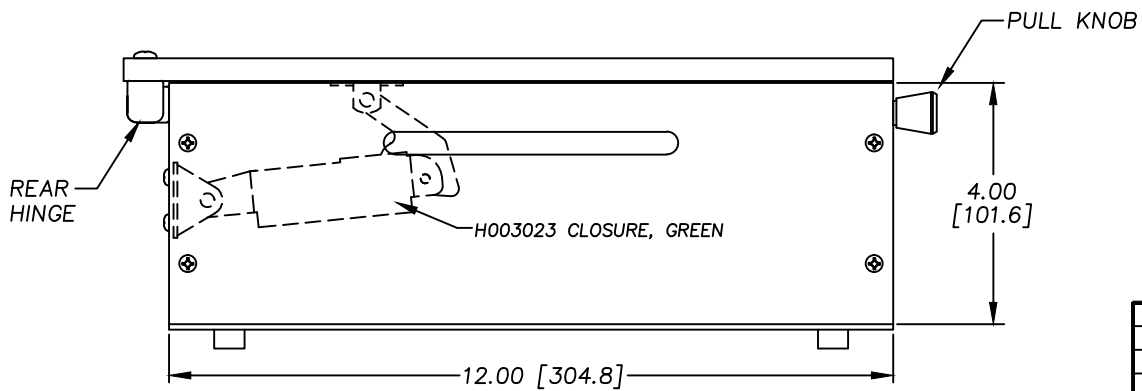
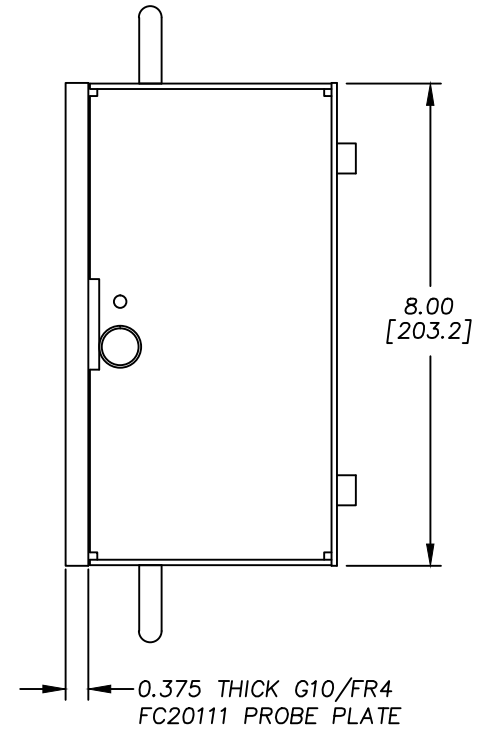
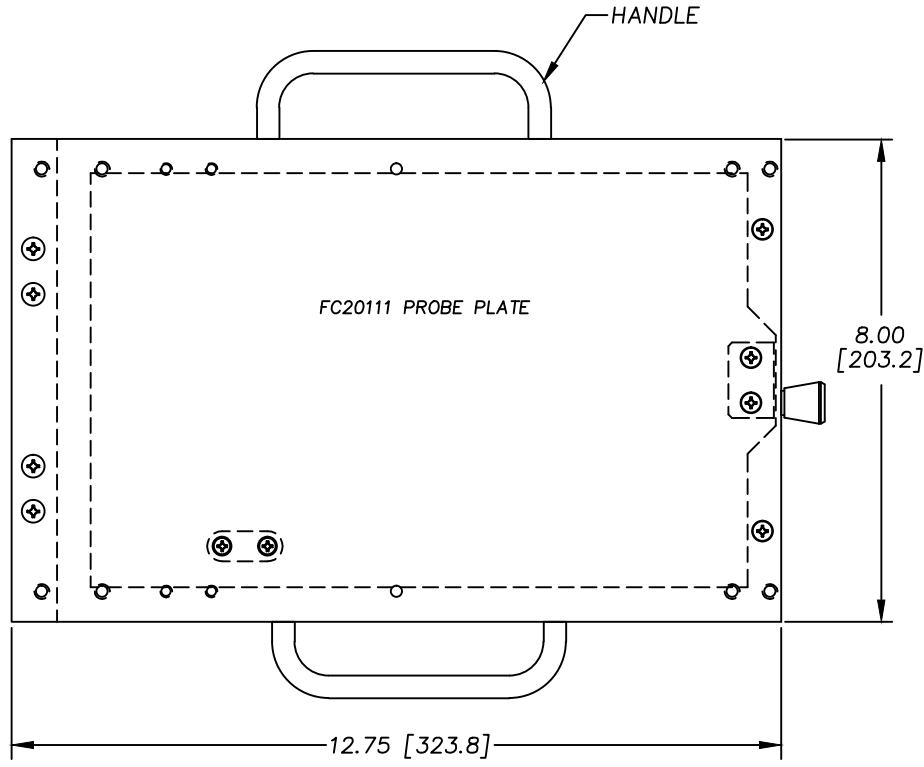


REVISIONS			
REV.	DESCRIPTION	DATE	APPROVED
A	RELEASE TO PRODUCTION	02/16/2000	JAG



FILE NO.  
FC20003A

		UNLESS OTHERWISE SPECIFIED DIMENSIONS ARE IN INCHES (MM)		<b>H&amp;W TEST PRODUCTS</b> SEEKONK, MASSACHUSETTS <b>ADAPTER BOX</b> <b>8x12 MECHANICAL KIT</b>	
		TOLERANCES ARE: .XX .XXX ANGLES ± 0.010 ± 0.005 ± 1/2°			
		MATERIAL SEE BILL OF MATERIALS		SIZE D	FSCM NO.
		FINISH NONE		DWG. NO. FC20003	REV. A
NEXT ASSY	USED ON	APPLICATION DO NOT SCALE DRAWING		SCALE FULL	DRAWN JAG 02/16/2000 SHEET 1 OF 1