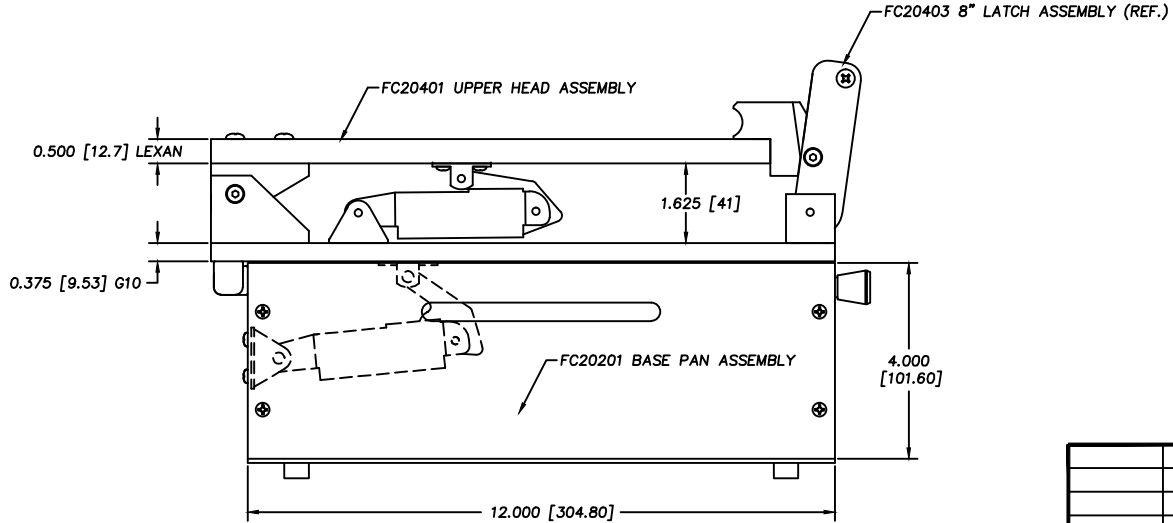
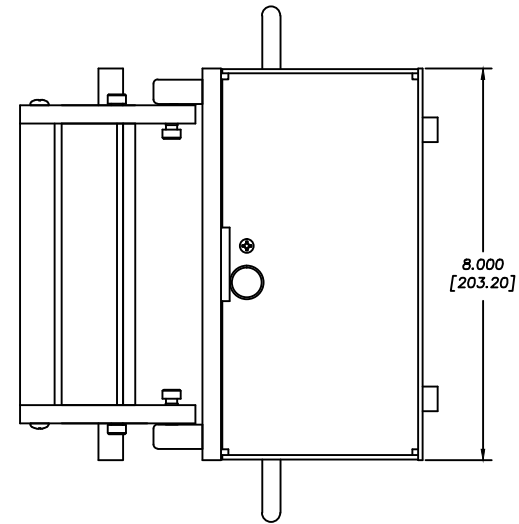
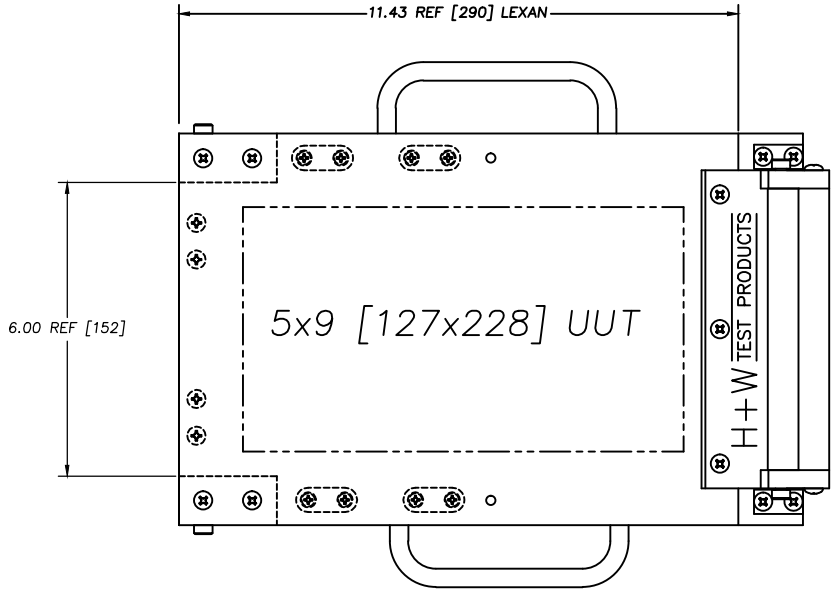


REVISIONS			
REV.	DESCRIPTION	DATE	APPROVED
A	RELEASE TO PRODUCTION	02/16/2000	JAG



FILE NO. FC20001A

		UNLESS OTHERWISE SPECIFIED DIMENSIONS ARE IN INCHES (MM) TOLERANCES ARE:		H+W TEST PRODUCTS SEEKONK, MASSACHUSETTS FIXTURE ASSEMBLY 8x12 MECHANICAL KIT	
		.XX	.XXX		
		± 0.010	± 0.005	± 1/2	
		MATERIAL			
		SEE NOTES			
		FINISH			
		SEE NOTES		SIZE	REV.
NEXT ASSY	USED ON			D	A
APPLICATION		DO NOT SCALE DRAWING		SCALE FULL	DRAWN JAG 02/16/2000 SHEET 1 OF 1