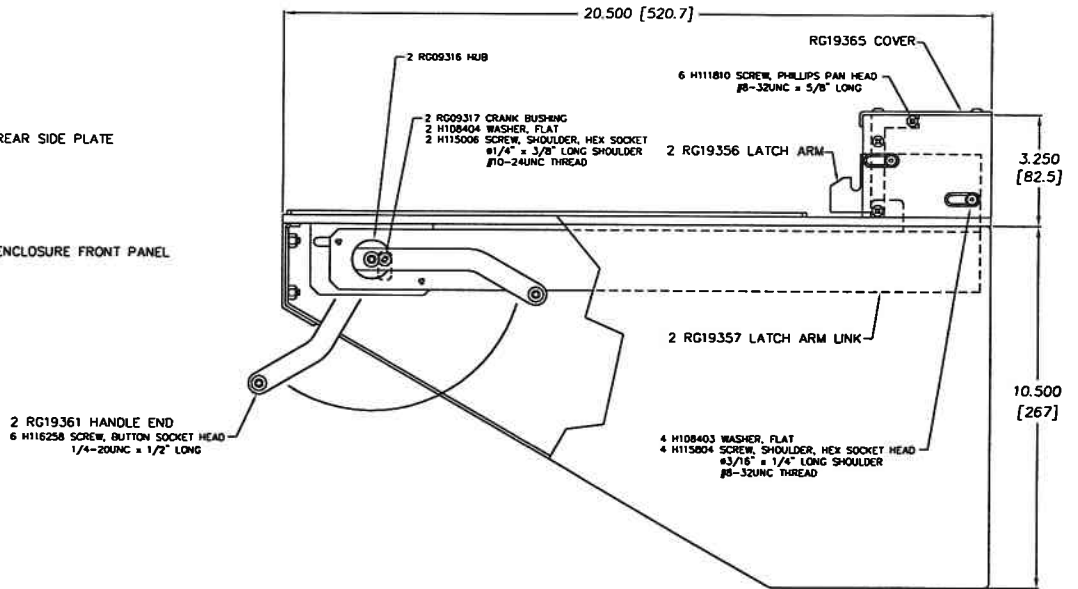
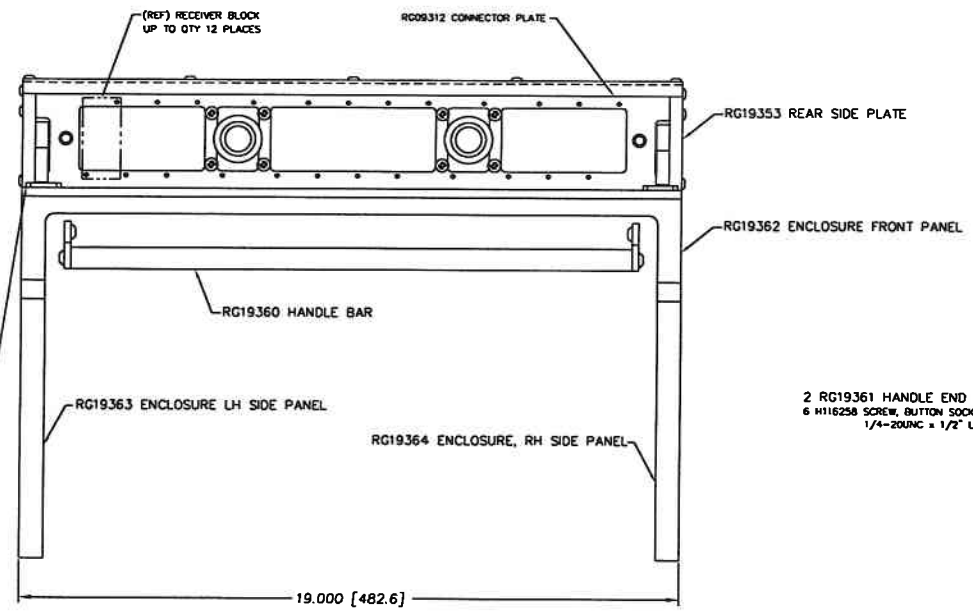
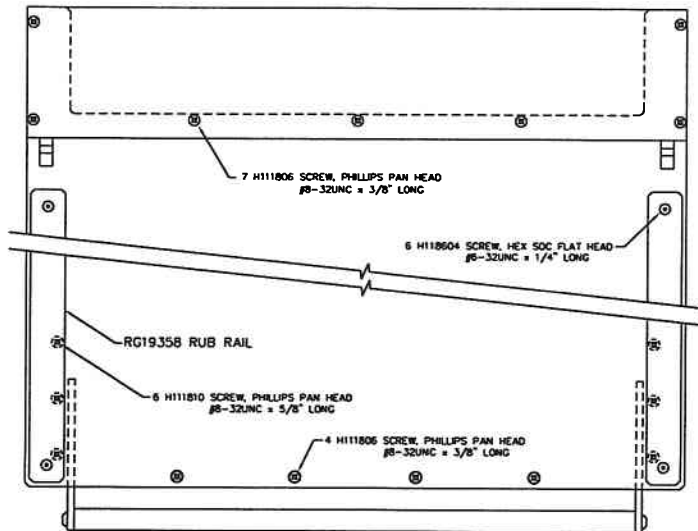


| REVISIONS | | | |
|-----------|-----------------------------|------------|----------|
| LTR | DESCRIPTION | DATE | APPROVED |
| X | FOR CUSTOMER REFERENCE ONLY | 02/18/2010 | JAG |



NOTE: SCREWS for attaching Side Panels to Base Plate, have to be 5/16" [7.9mm] MAX. length, and include Lock Washer

FILE NO.
RG19001A

| | | | | | |
|--|--|---|------|--|----------|
| | | UNLESS OTHERWISE SPECIFIED DIMENSIONS ARE IN INCHES (MM) | | H+W TEST PRODUCTS SEEKONK, MASSACHUSETTS | |
| | | TOLERANCES ARE: | | | |
| | | .XX | .XXX | ANGLES | |
| | | ±0.015 ±0.005 ±1/2" | | 2270 STYLE RECEIVER 19" RACK MOUNT | |
| | | MATERIAL | | REV. | |
| | | FINISH | | SIZE | FSCM NO. |
| | | NEXT ASSY | | E | |
| | | USED ON | | DRAWING NO. | |
| | | APPLICATION | | RG19001 X | |
| | | DO NOT SCALE DRAWING | | SCALE FULL DRAWN JAG 02/18/2010 SHEET 1 OF 1 | |