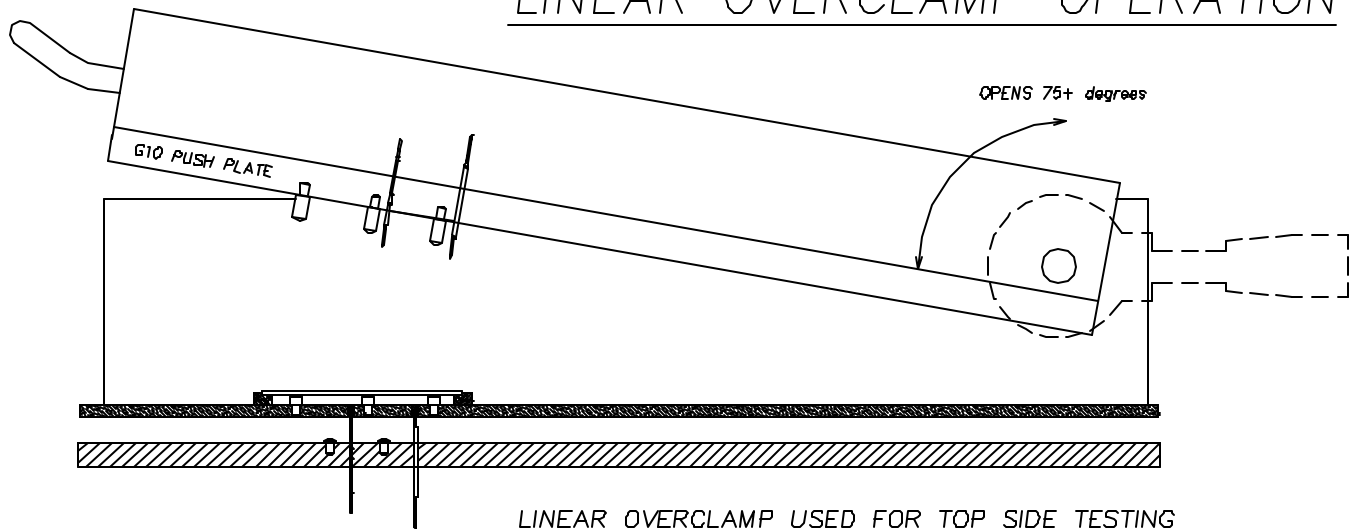


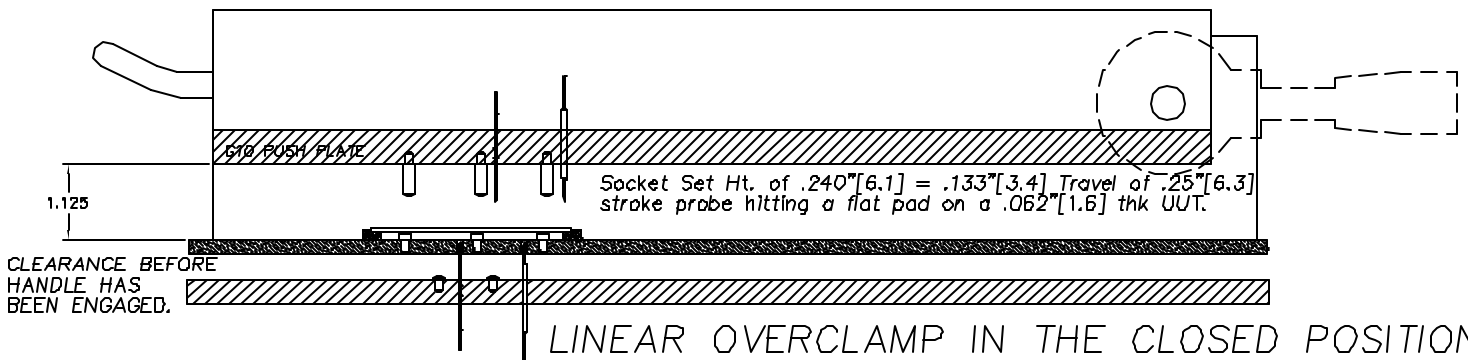
H+W TEST PRODUCTS

58 INDUSTRIAL COURT, SEEKONK, MASSACHUSETTS 02771 508-336-3200

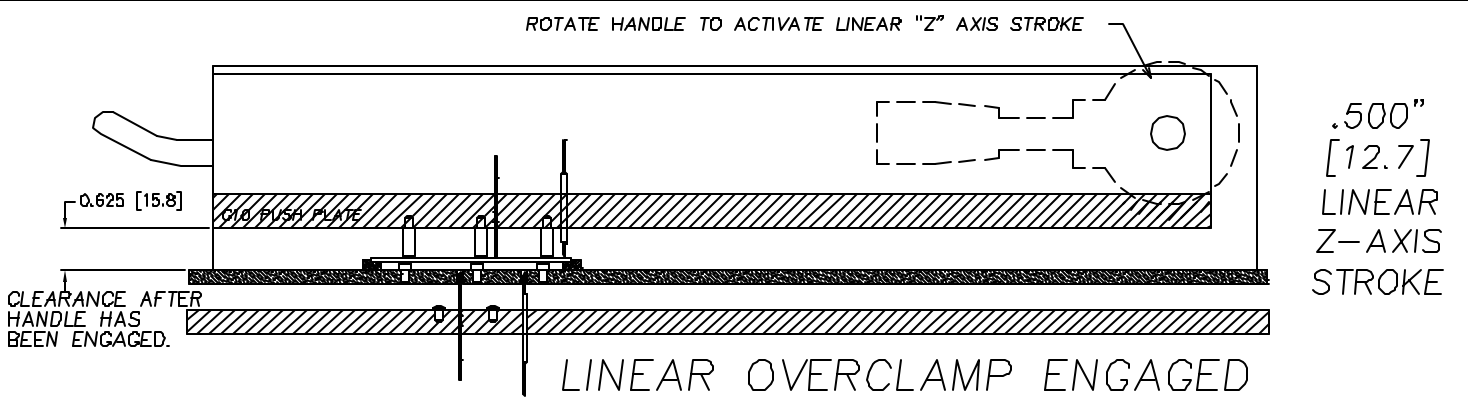
LINEAR OVERCLAMP OPERATION



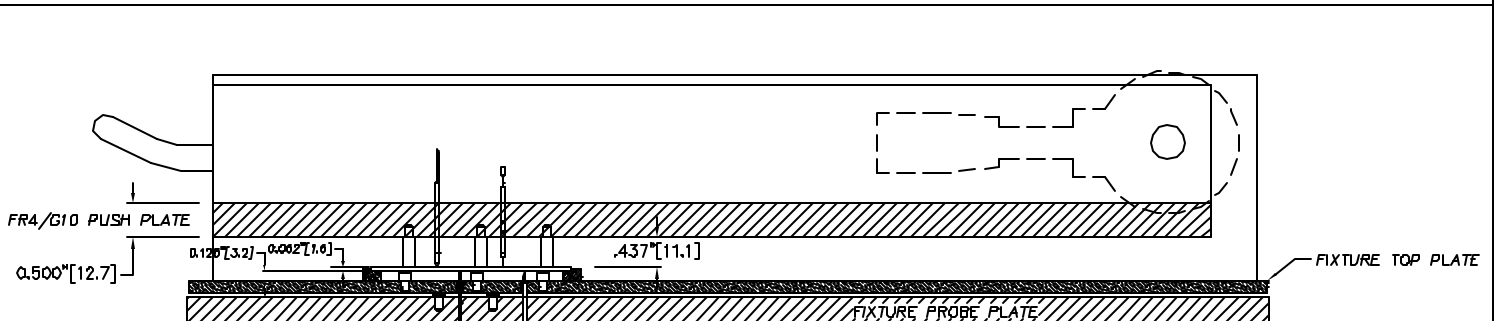
LINEAR OVERCLAMP USED FOR TOP SIDE TESTING
LINEAR OVERCLAMP UNIT OPENS UP TO 75 DEGREES



LINEAR OVERCLAMP IN THE CLOSED POSITION



LINEAR OVERCLAMP ENGAGED



LINEAR OVERCLAMP ENGAGED & FIXTURE VACUUM APPLIED