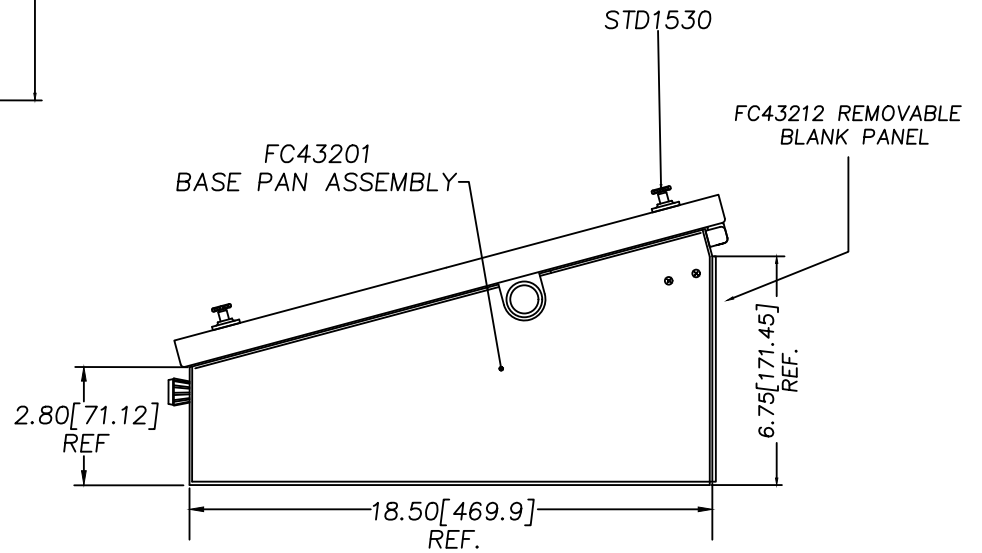
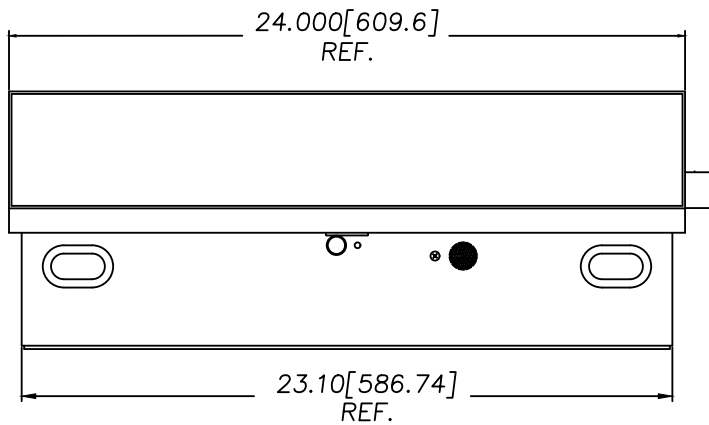
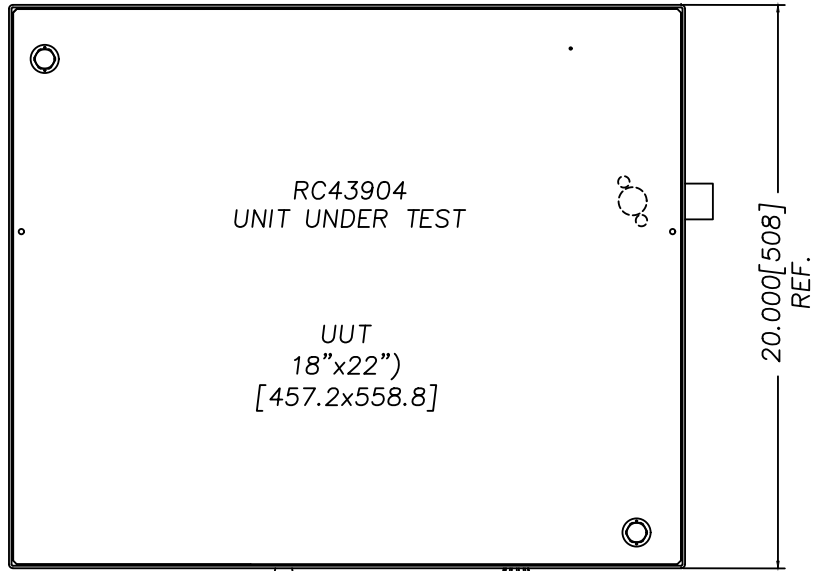


REVISIONS			
REV.	DESCRIPTION	DATE	APPROVED
A	RELEASE TO PRODUCTION	11/06/13	JRA



FILE NO.
FC43004A

		UNLESS OTHERWISE SPECIFIED DIMENSIONS ARE IN INCHES (MM) TOLERANCES ARE: .XX .XXX ANGLES ± 0.015 ± 0.005 ± 1/2°		H&W TEST PRODUCTS SEEKONK, MASSACHUSETTS	
		MATERIAL SEE BILL OF MATERIALS		VACUM FIXTURE, ESD 15° SLOPED FIXTURE (20"x24")	
		FINISH SEE NOTES		SIZE D	FSCM NO.
NEXT ASSY		USED ON		DWG. NO. RC43004	
APPLICATION		DO NOT SCALE DRAWING		SCALE FULL	DRAWN JRA 09/03/13 SHEET 1 OF 1