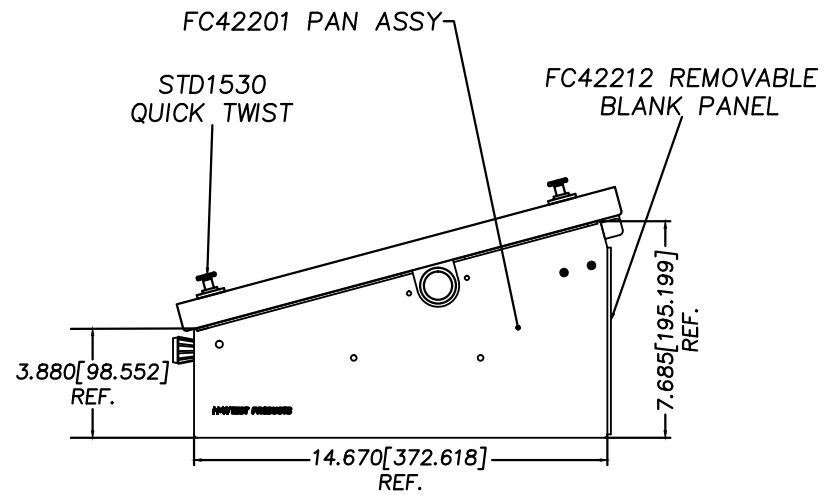
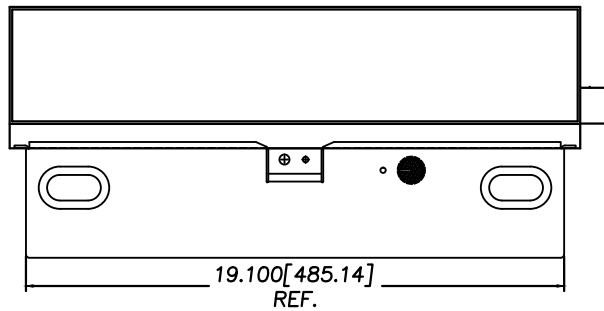
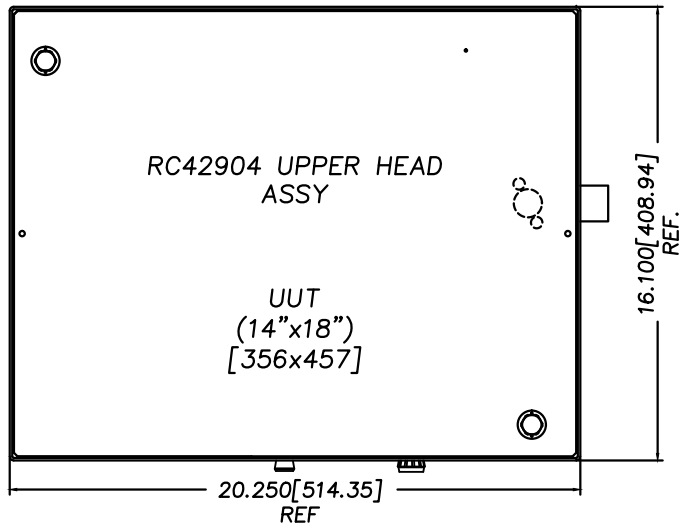


REVISIONS			
REV.	DESCRIPTION	DATE	APPROVED
A	RELEASE TO PRODUCTION	04/06/00	JAG
B	REDESIGN FRONT SURFACE	11/06/13	JRA



FILE NO.
RC42004A

PROPRIETARY INFORMATION
NO COPYING, REOR OR REPRODUCTION WITHOUT PRIOR
WRITTEN PERMISSION OF H&W TEST PRODUCTS

		UNLESS OTHERWISE SPECIFIED DIMENSIONS ARE IN INCHES (MM) TOLERANCES ARE: .XX .XXX ANGLES ± 0.015 ± 0.005 ± 1/2°	H&W TEST PRODUCTS SEEKONK, MASSACHUSETTS	
		MATERIAL SEE BILL OF MATERIALS	VACUUM FIXTURE, ESD 15° SLOPED FIXTURE (16"x20")	
		FINISH SEE NOTES	SIZE D	FSCM NO.
NEXT ASSY	USED ON		DWG. NO.	REV. A
		APPLICATION	SCALE FULL	DRAWN JRA 03/11/14 SHEET 1 OF 1