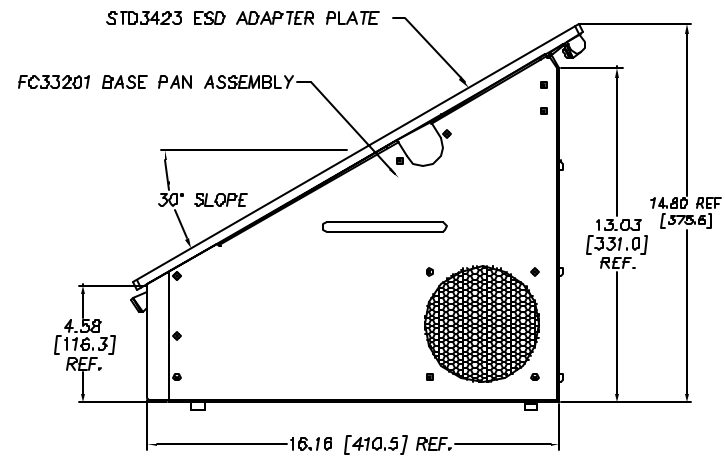
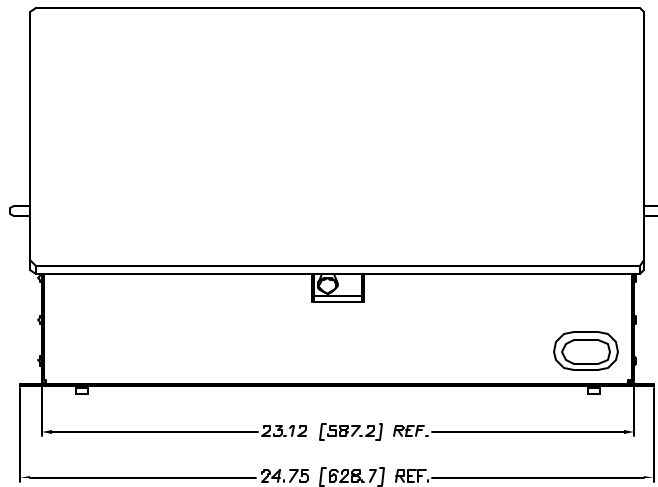
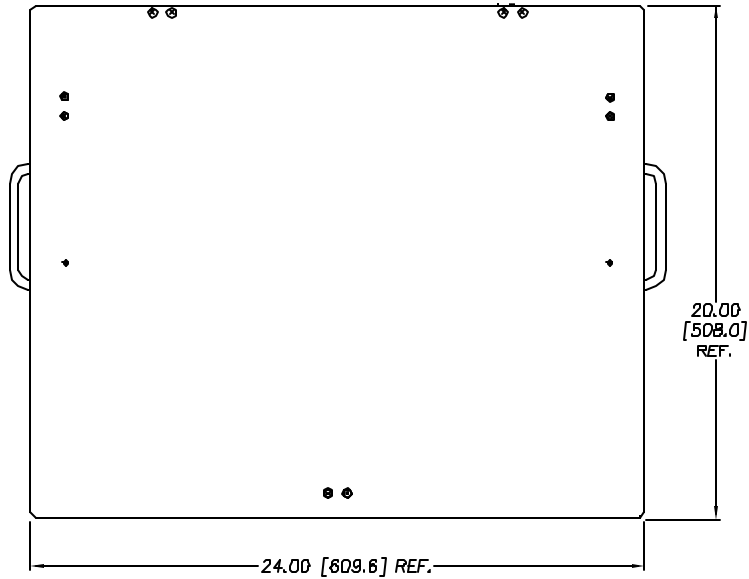


REVISIONS			
REV.	DESCRIPTION	DATE	APPROVED
A	RELEASE TO PRODUCTION	08/11/12	JRA



FILE NO.
FC33043A

		UNLESS OTHERWISE SPECIFIED, DIMENSIONS ARE IN INCHES (MM) TOLERANCES ARE:		H+W TEST PRODUCTS <small>SEEKONK, MASSACHUSETTS</small> ADAPTER FIXTURE ASSEMBLY, 30° SLOPED (16x20 UUT), ESD	
		.XX	.XXX		
		± 0.015 ± 0.005		± 1/2°	
		MATERIAL		SEE BILL OF MATERIALS	
		FINISH		SEE NOTES	
NEXT ARMY	USED ON	SIZE	FBCM NO.	DWG. NO.	REV.
		D		FC33043	A
APPLICATION		DO NOT SCALE DRAWING		SCALE FULL	DRAWN JAG 08/11/98 SHEET 1 OF 1