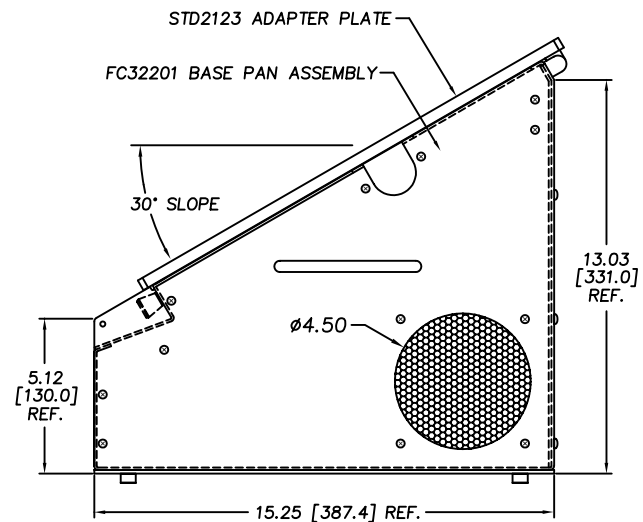
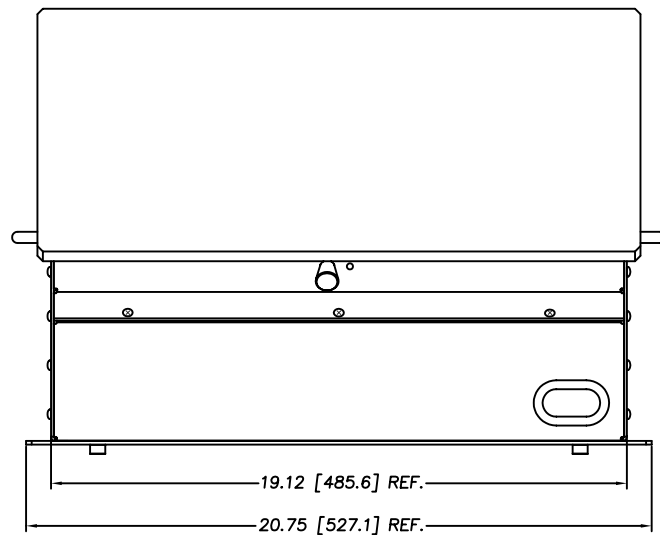
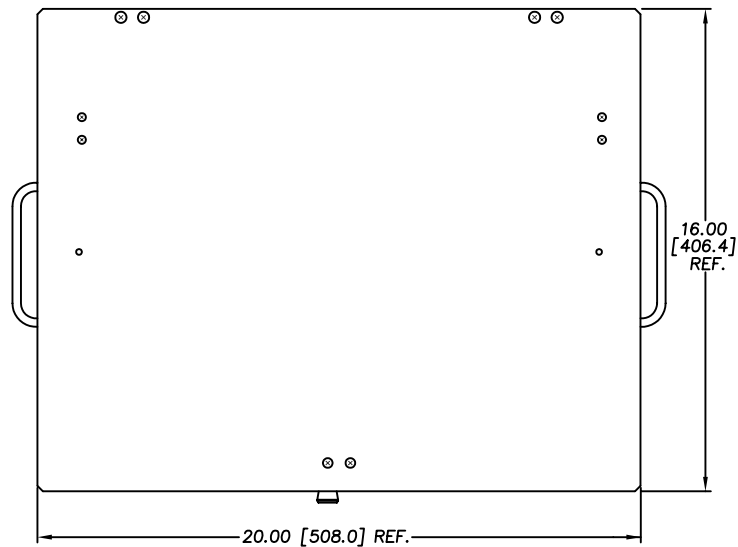


REVISIONS			
REV.	DESCRIPTION	DATE	APPROVED
A	RELEASE TO PRODUCTION	08/11/98	JAG



		UNLESS OTHERWISE SPECIFIED DIMENSIONS ARE IN INCHES (MM) TOLERANCES ARE:		H+W TEST PRODUCTS SEEKONK, MASSACHUSETTS ADAPTER FIXTURE ASSEMBLY 30° SLOPED (12x16 UUT)	
		.XX	.XXX		
		± 0.015	± 0.005	± 1/2°	
		MATERIAL		SEE BILL OF MATERIALS	
		FINISH		SEE NOTES	
NEXT ASSY	USED ON	SIZE	FSCM NO.	DWG. NO.	REV.
		D		FC32003	A
APPLICATION		DO NOT SCALE DRAWING		SCALE FULL	DRAWN JAG 08/11/98 SHEET 1 OF 1

FILE NO. FC32003A