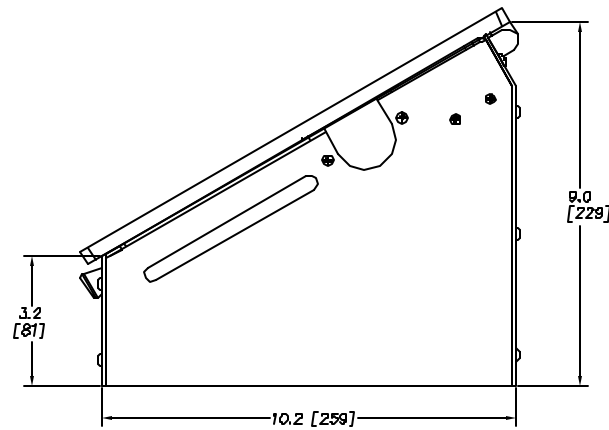
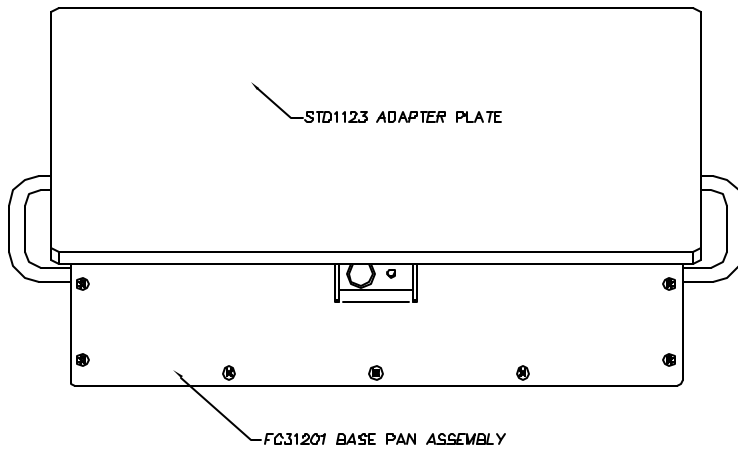
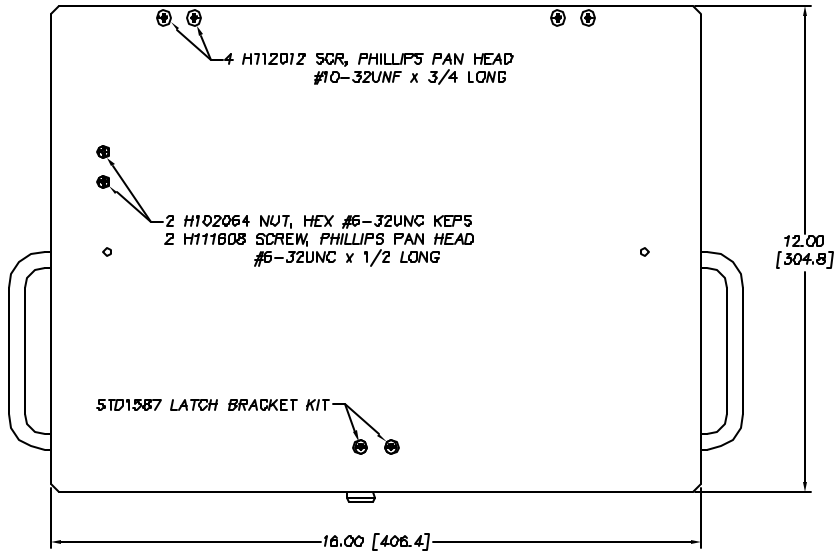


REVISIONS			
REV.	DESCRIPTION	DATE	APPROVED
A	RELEASE TO PRODUCTION	10/13/99	JAG



FILE NO.  
FC31003A

		UNLESS OTHERWISE SPECIFIED, DIMENSIONS ARE IN INCHES (MM) TOLERANCES ARE:		<b>H+W TEST PRODUCTS</b> <small>SEABROOK, MASSACHUSETTS</small> <b>ADAPTER KIT ASSEMBLY</b> <b>30' SLOPE FIXTURE (8x12 VUT)</b>	
		.XX	.XXX		
		MATERIAL		SEE BILL OF MATERIALS	
		FINISH		SEE NOTES	
NEXT ARMY		USED ON		SIZE	FBCM NO.
				D	
				DWG. NO.	FC31003
				REV.	A
APPLICATION		DO NOT SCALE DRAWING		SCALE	FULL
				DRAWN	JAG 10/13/99
				SHEET	1 OF 1