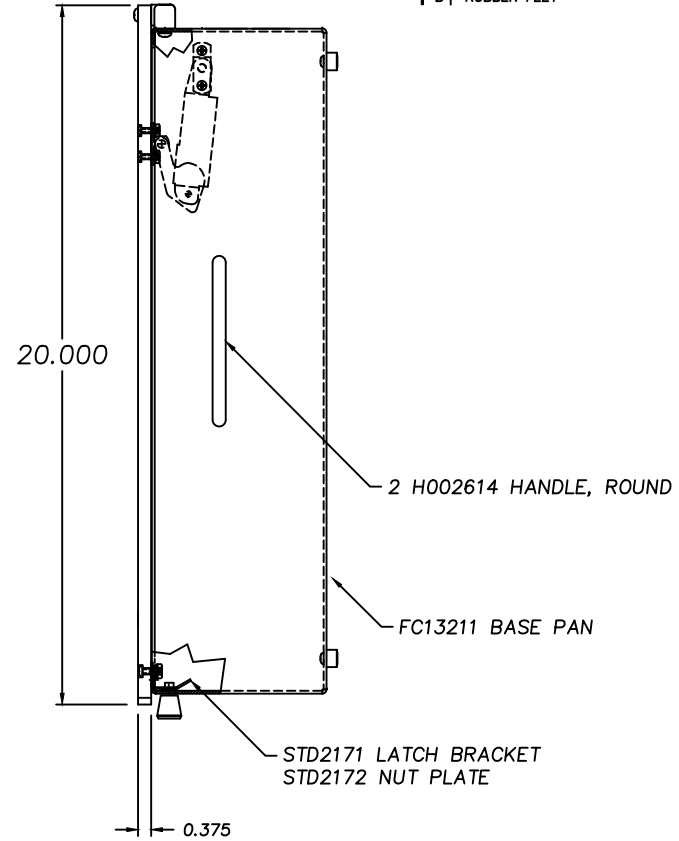
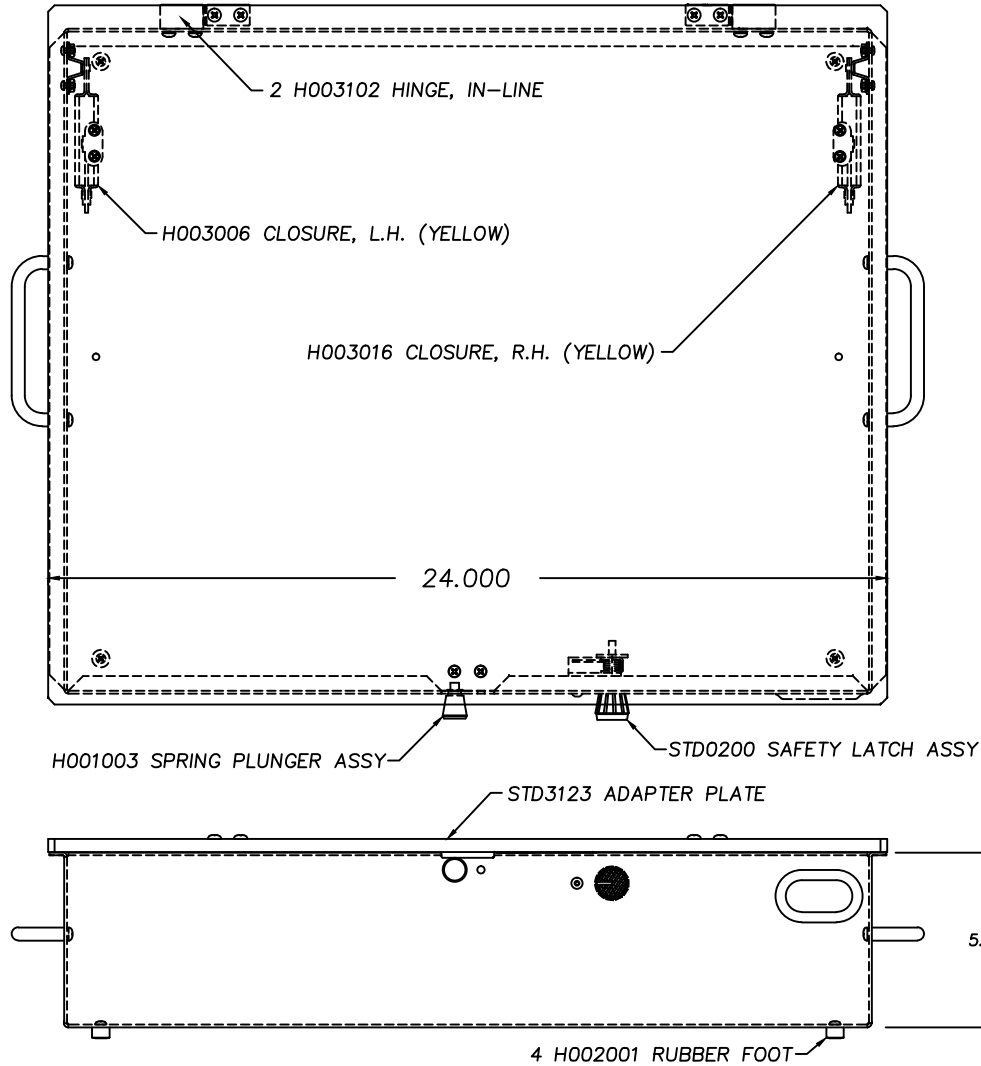


REVISIONS			
LTR	DESCRIPTION	DATE	APPROVED
A	RELEASE FOR REFERENCE	03/01/13	JRA
B	RUBBER FEET	11/23/16	JRA



		UNLESS OTHERWISE SPECIFIED DIMENSIONS ARE IN INCHES (MM) TOLERANCES ARE:		HAW TEST PRODUCTS SEEKONK, MASSACHUSETTS	
		.XX	.XXX	ANGLES	
		±.015	±.005	± 1/2°	
		MATERIAL SEE BILL OF MATERIALS			
		FINISH		SIZE	FSCM NO.
				D	
				DRAWING NO. FC13003	
				REV.	B
FILE NO.	FC13003B	APPLICATION	DO NOT SCALE DRAWING	SCALE FULL	DRAWN DLS 06/06/00 SHEET 1 OF 1

FILE NO.
FC13003B