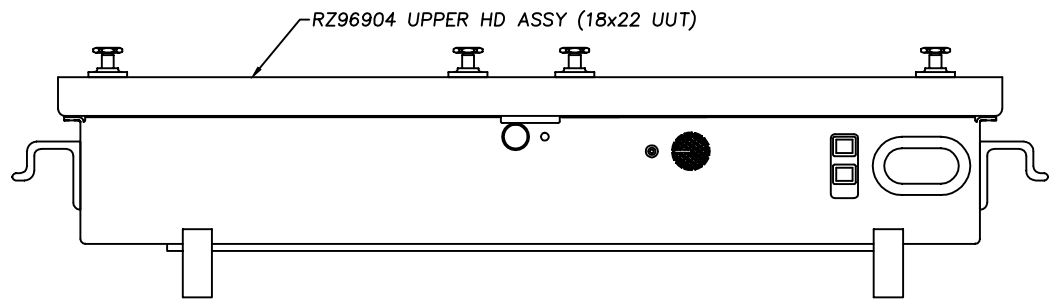
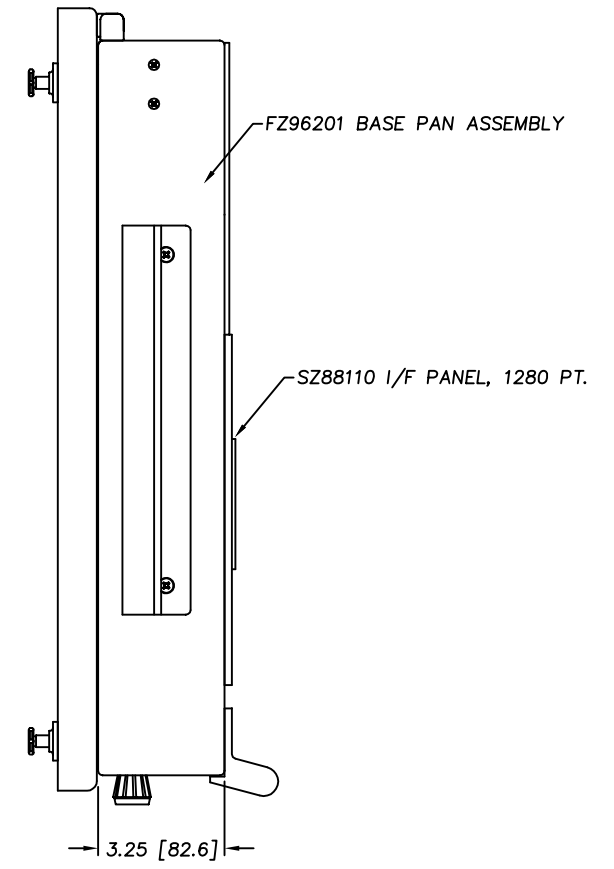
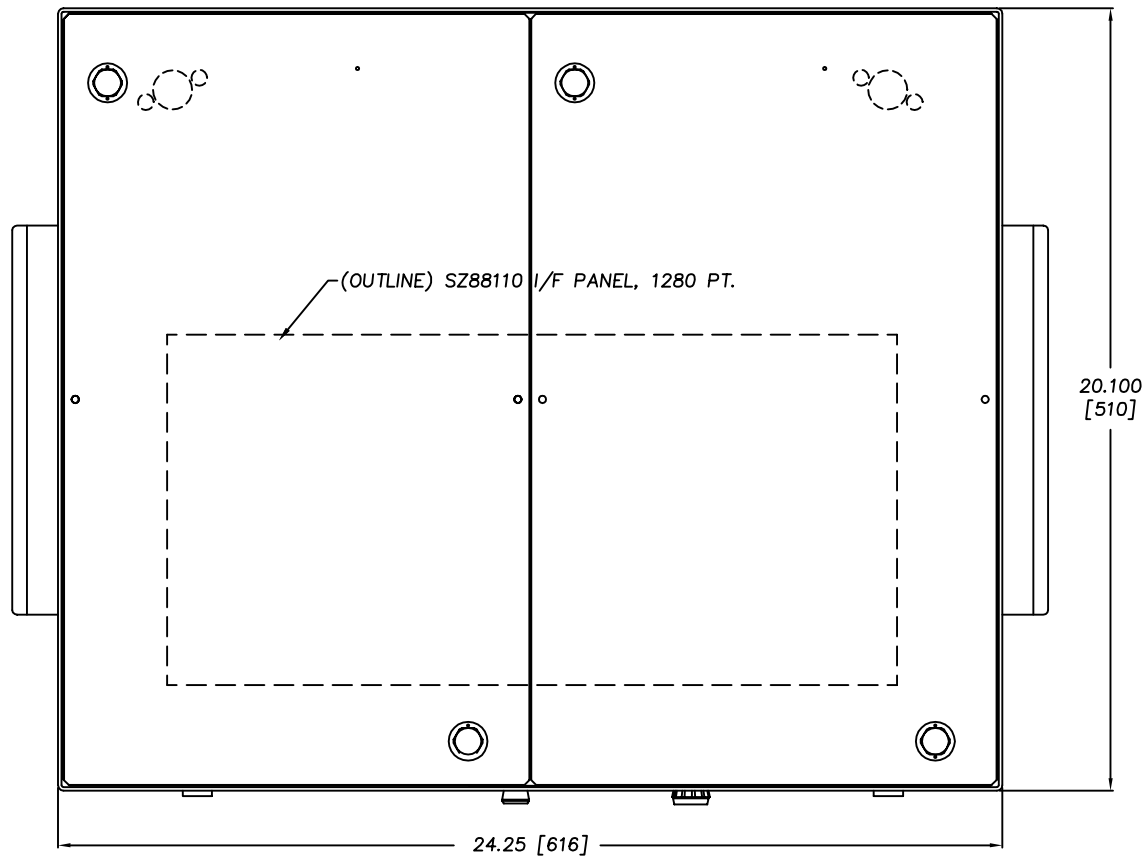


REVISIONS			
LTR	DESCRIPTION	DATE	APPROVED
A	QUICK TWIST SERIES	01/01/04	JAG



THIS DRAWING IS FOR ASSEMBLY REFERENCE ONLY

		UNLESS OTHERWISE SPECIFIED DIMENSIONS ARE IN INCHES (MM) TOLERANCES ARE:		H+W TEST PRODUCTS SEEKONK, MASSACHUSETTS FIXTURE ASSY (18x10 DUAL) 1280 PT. I/F TERADYNE SPECTRUM 8852	
		.XX	.XXX		
		±.015	±.005	±1/2°	SIZE
		MATERIAL SEE BILL OF MATERIALS			FSCM NO.
		FINISH SEE NOTES			DRAWING NO.
NEXT ASSY		USED ON			D
APPLICATION		DO NOT SCALE DRAWING			RZ96004 A
		SCALE FULL			REV.
		DRAWN JAG			06/12/97
		SHEET 1 OF 1			

FILE NO.
RZ96004A