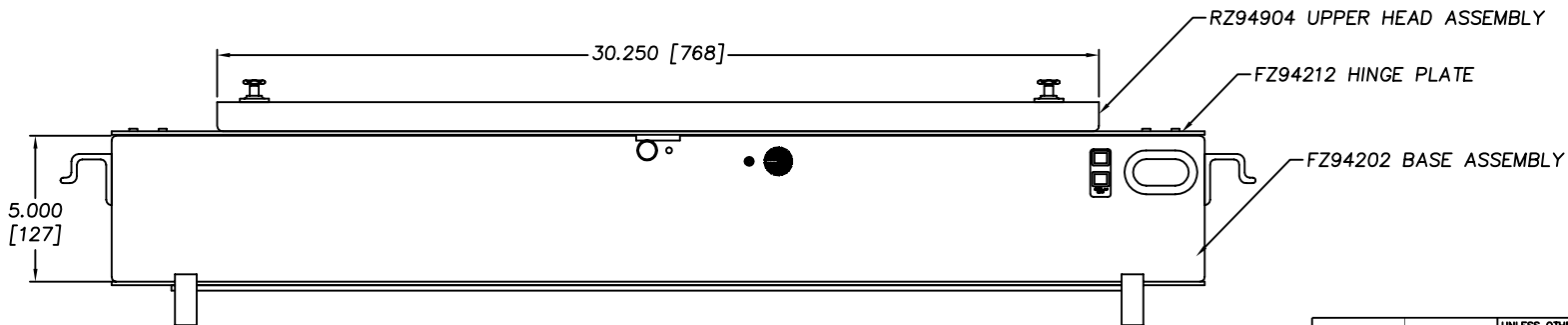
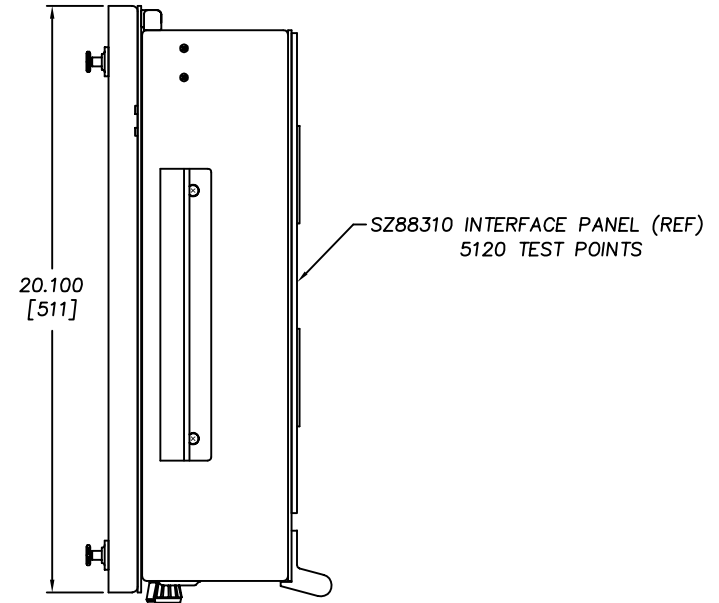
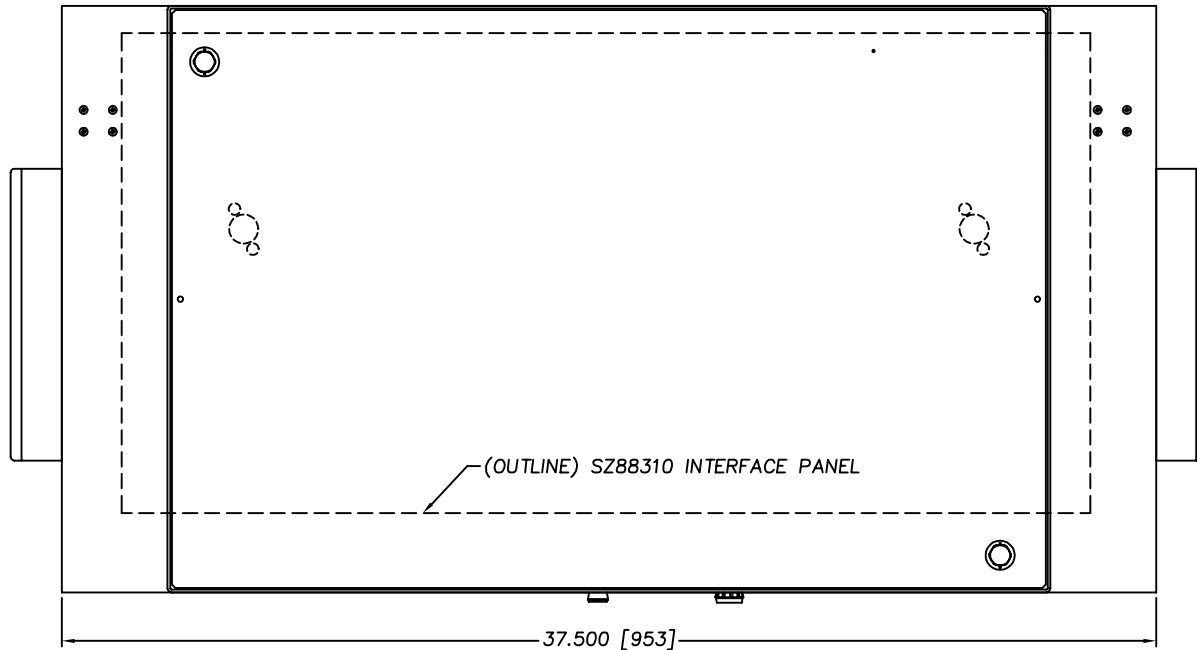


| REVISIONS | | | |
|-----------|--------------------|----------|----------|
| LTR | DESCRIPTION | DATE | APPROVED |
| A | QUICK TWIST SERIES | 01/01/04 | JAG |



THIS DRAWING IS FOR ASSEMBLY REFERENCE ONLY

| | | | |
|---|-------------|--|----------|
| UNLESS OTHERWISE SPECIFIED DIMENSIONS ARE IN INCHES (MM) | | H+W TEST PRODUCTS SEEKONK, MASSACHUSETTS | |
| TOLERANCES ARE: | | FIXTURE ASSY (18x28 UUT) | |
| .XX | .XXX | 5120 PT. 1/F | |
| ±.015 | ±.005 ±1/2° | TERADYNE SPECTRUM 8855 | |
| MATERIAL | | SIZE | FSCM NO. |
| SEE BILL OF MATERIALS | | DRAWING NO. | |
| FINISH | | REV. | |
| NONE | | RZ94034 A | |
| NEXT ASSY | USED ON | SCALE FULL DRAWN JAG 10/22/06 SHEET 1 OF 1 | |
| APPLICATION | | DO NOT SCALE DRAWING | |

FILE NO.
RZ94034A