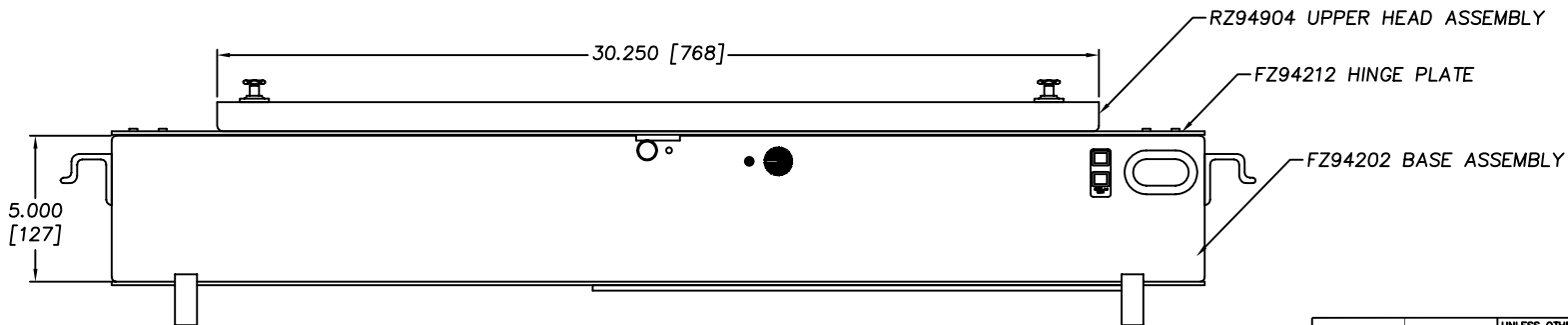
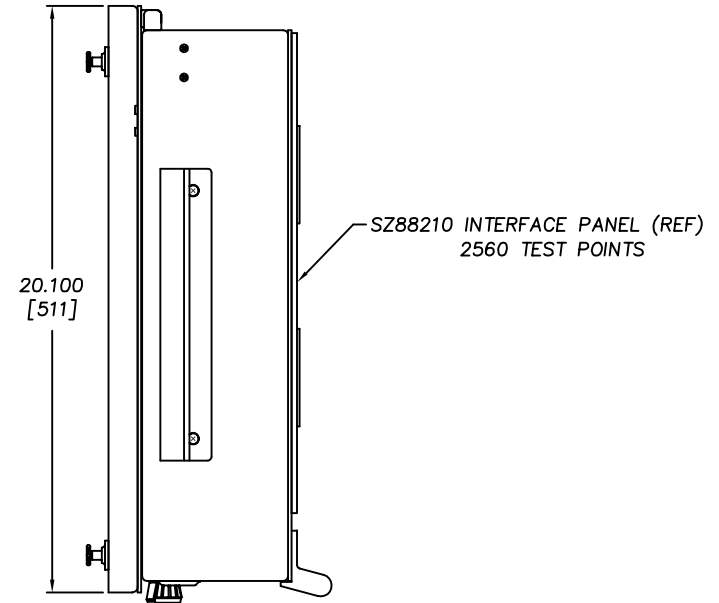
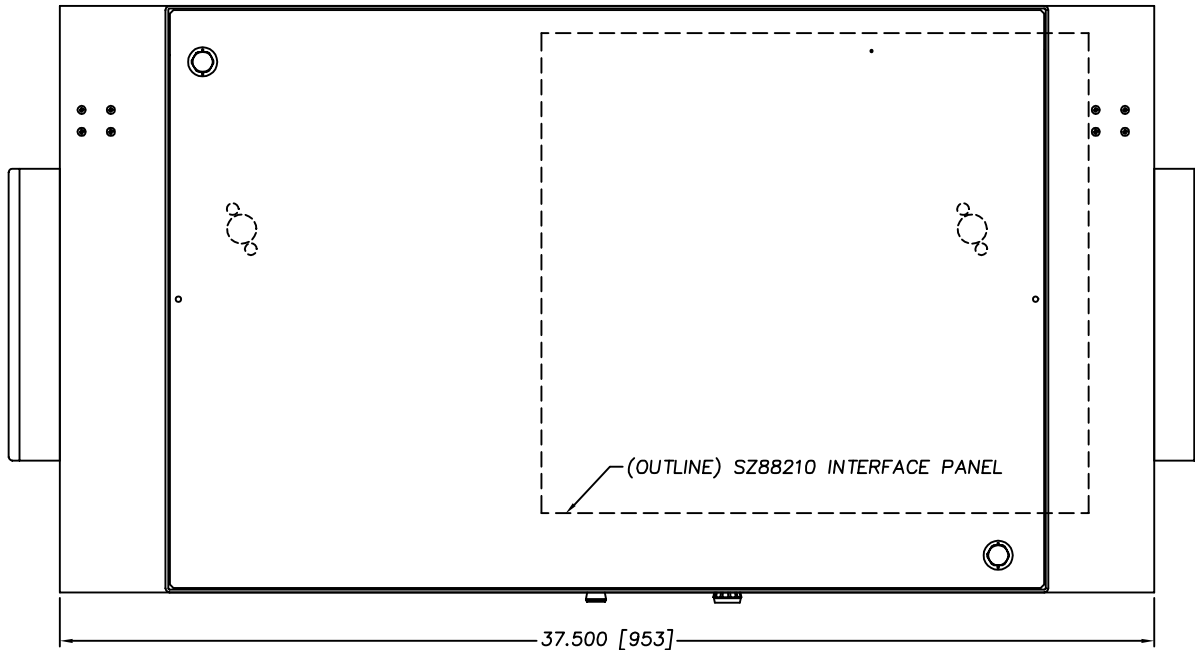


REVISIONS			
LTR	DESCRIPTION	DATE	APPROVED
A	QUICK TWIST SERIES	01/01/04	JAG



THIS DRAWING IS FOR ASSEMBLY REFERENCE ONLY

		UNLESS OTHERWISE SPECIFIED DIMENSIONS ARE IN INCHES (MM) TOLERANCES ARE: .XX .XXX ANGLES ±.015 ±.005 ±1/2°	<b>H+W TEST PRODUCTS</b> SEEKONK, MASSACHUSETTS	
		SEE BILL OF MATERIALS	FIXTURE ASSY (18x28 UUT) 2560 PT. 1/F TERADYNE SPECTRUM 8855	
		FINISH NONE	SIZE D	FSCM NO. DRAWING NO. RZ94024 A
NEXT ASSY APPLICATION	USED ON	DO NOT SCALE DRAWING	SCALE FULL	DRAWN JAG 10/22/96 SHEET 1 OF 1

FILE NO.  
RZ94024A