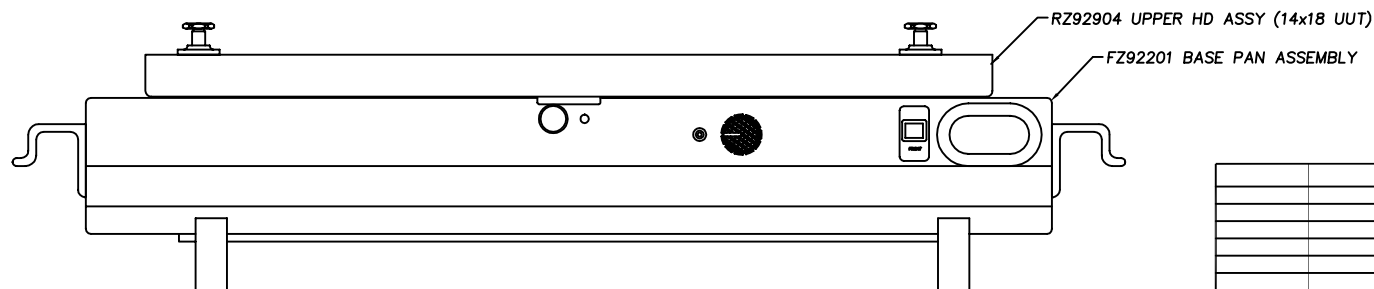
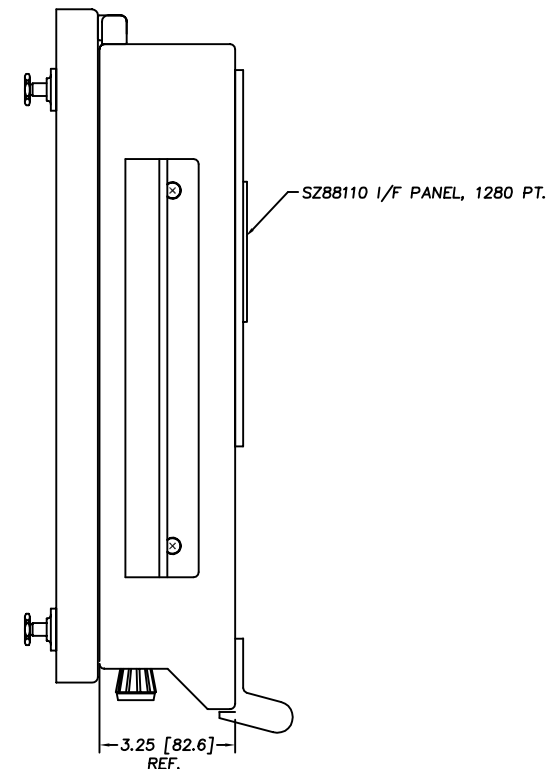
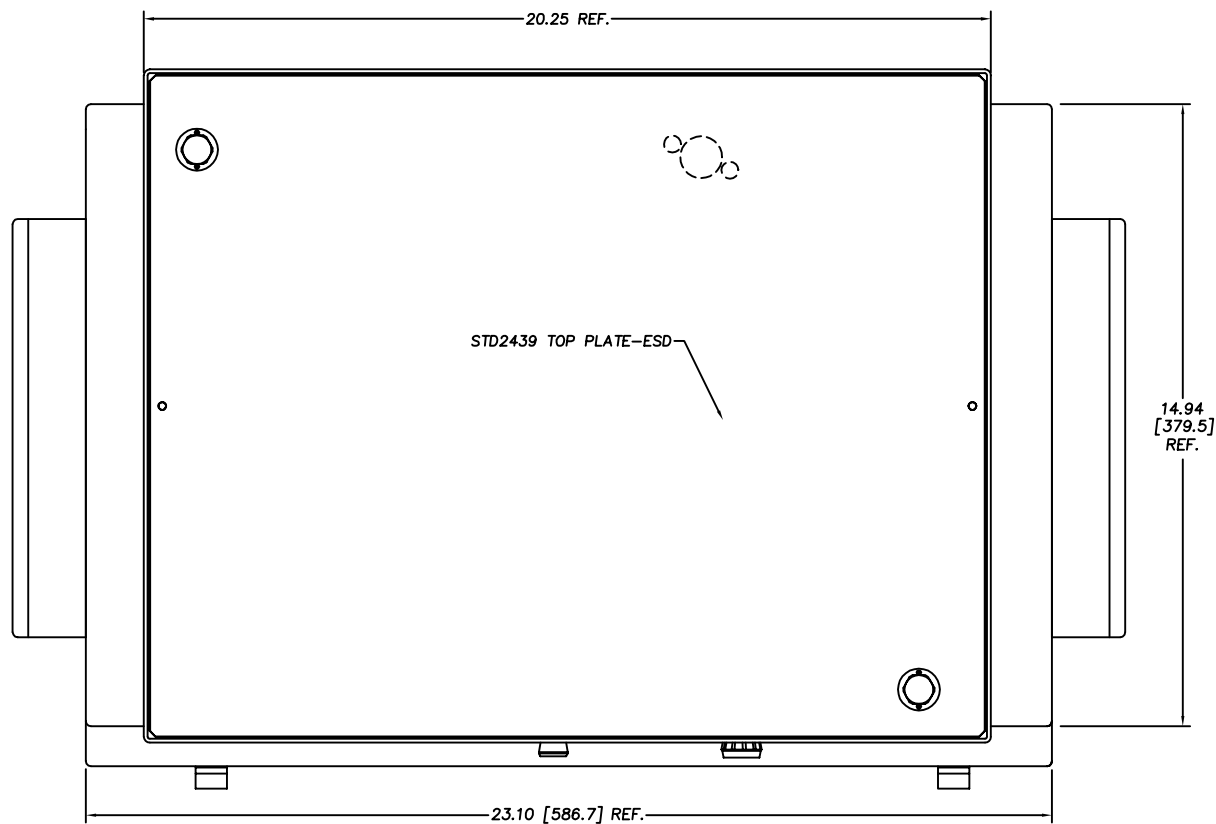


REVISIONS			
LTR	DESCRIPTION	DATE	APPROVED
A	QUICK TWIST SERIES	01/01/04	JAG



THIS DRAWING IS FOR ASSEMBLY REFERENCE ONLY.

		UNLESS OTHERWISE SPECIFIED DIMENSIONS ARE IN INCHES (MM) TOLERANCES ARE: .XX .XXX ANGLES ±.015 ±.005 ±1/2"	H+W TEST PRODUCTS SEEKONK, MASSACHUSETTS	
		MATERIAL SEE BILL OF MATERIALS	FIXTURE ASSY (14x18 UUT) 1280 PT. I/F TERADYNE SPECTRUM 8851	
		FINISH SEE NOTES	SIZE D	FSCM NO. DRAWING NO. RZ92004 A
NEXT ASSY	USED ON	APPLICATION	DO NOT SCALE DRAWING	SCALE FULL DRAWN JAG 06/12/97 SHEET 1 OF 1

FILE NO.
RZ92004A