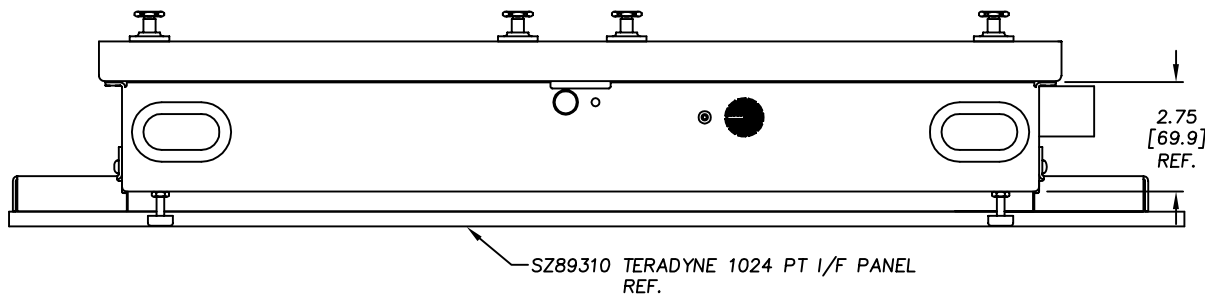
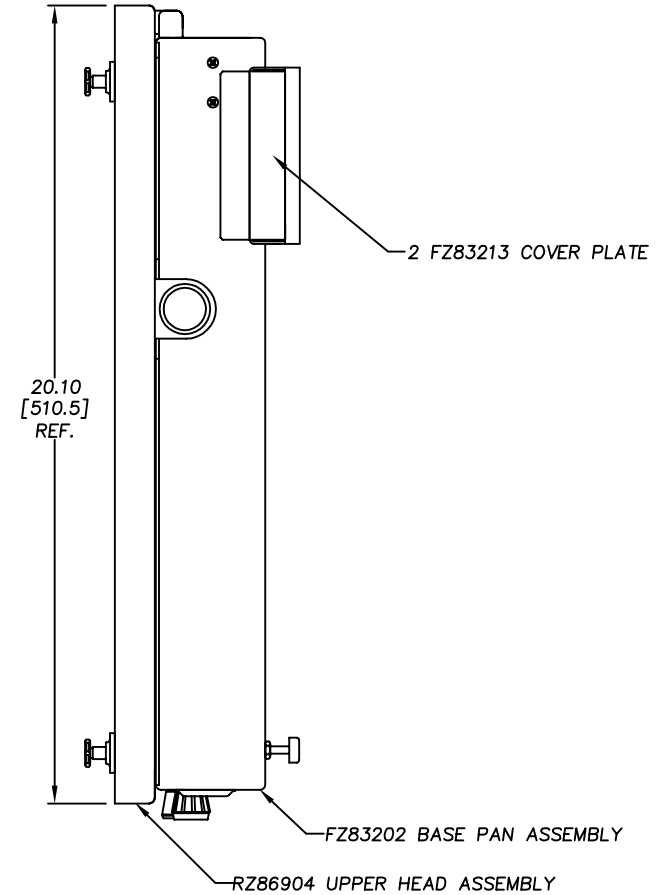
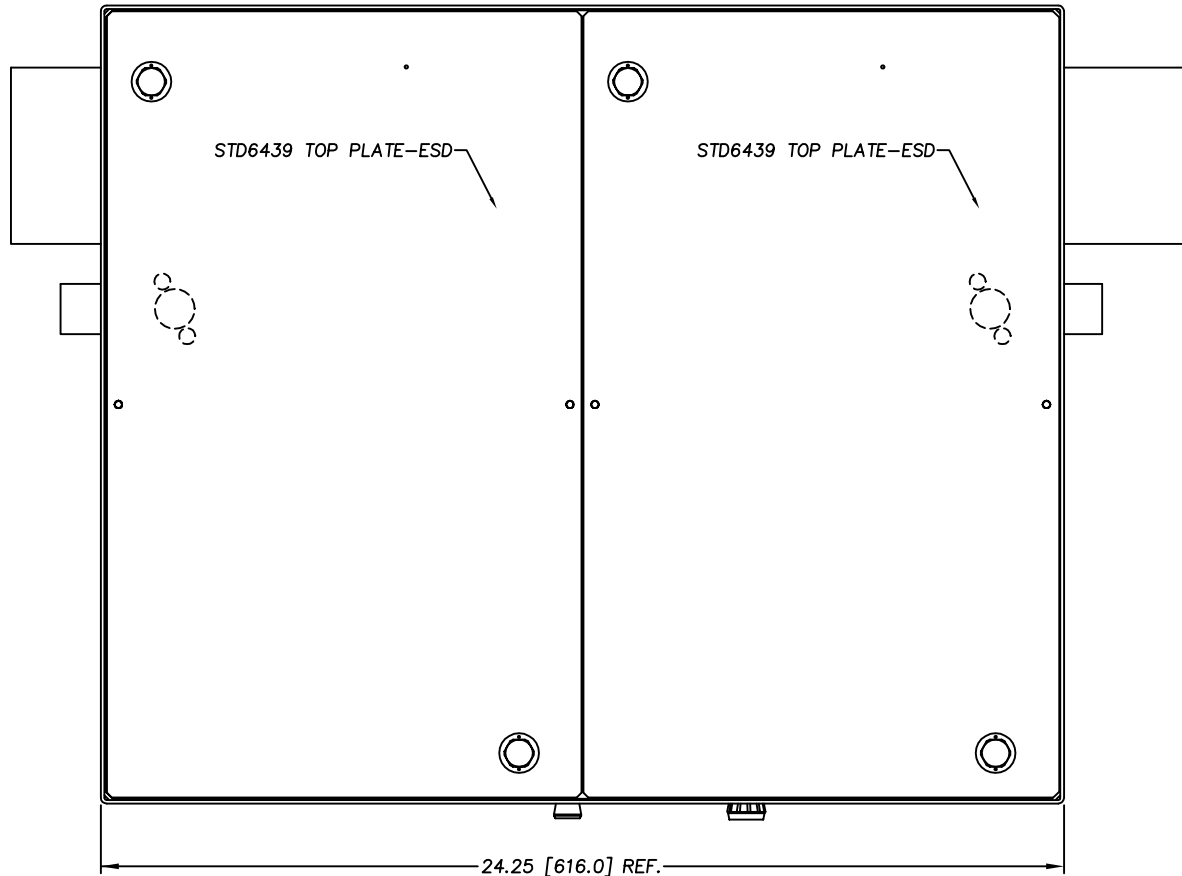


REVISIONS			
LTR	DESCRIPTION	DATE	APPROVED
A	QUICK TWIST SERIES	01/01/04	JAG



		UNLESS OTHERWISE SPECIFIED DIMENSIONS ARE IN INCHES (MM) TOLERANCES ARE: .XX .XXX ANGLES ±.015 ±.005 ±1/2'	<b>H+W TEST PRODUCTS</b> SEEKONK, MASSACHUSETTS	
		MATERIAL SEE BILL OF MATERIALS	FIXTURE ASSEMBLY TERADYNE 800 (18x10 UUT)	
		FINISH NONE	SIZE FSCM NO.	DRAWING NO.
			E	RZ86024 A
NEXT ASSY	USED ON	APPLICATION	DO NOT SCALE DRAWING	SCALE FULL DRAWN JAG 7/18/96 SHEET 1 OF 1

FILE NO.  
RZ86024A