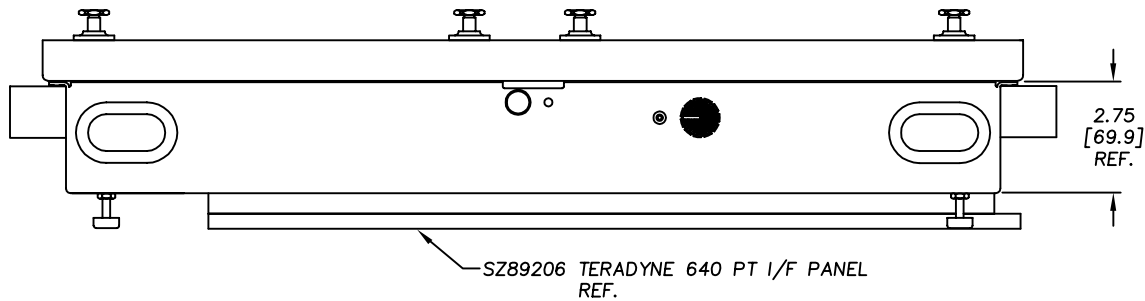
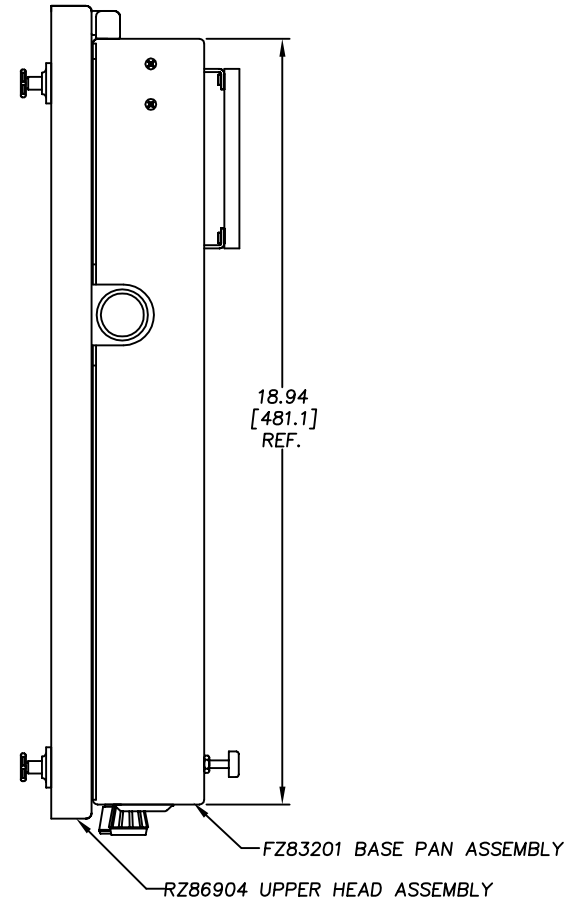
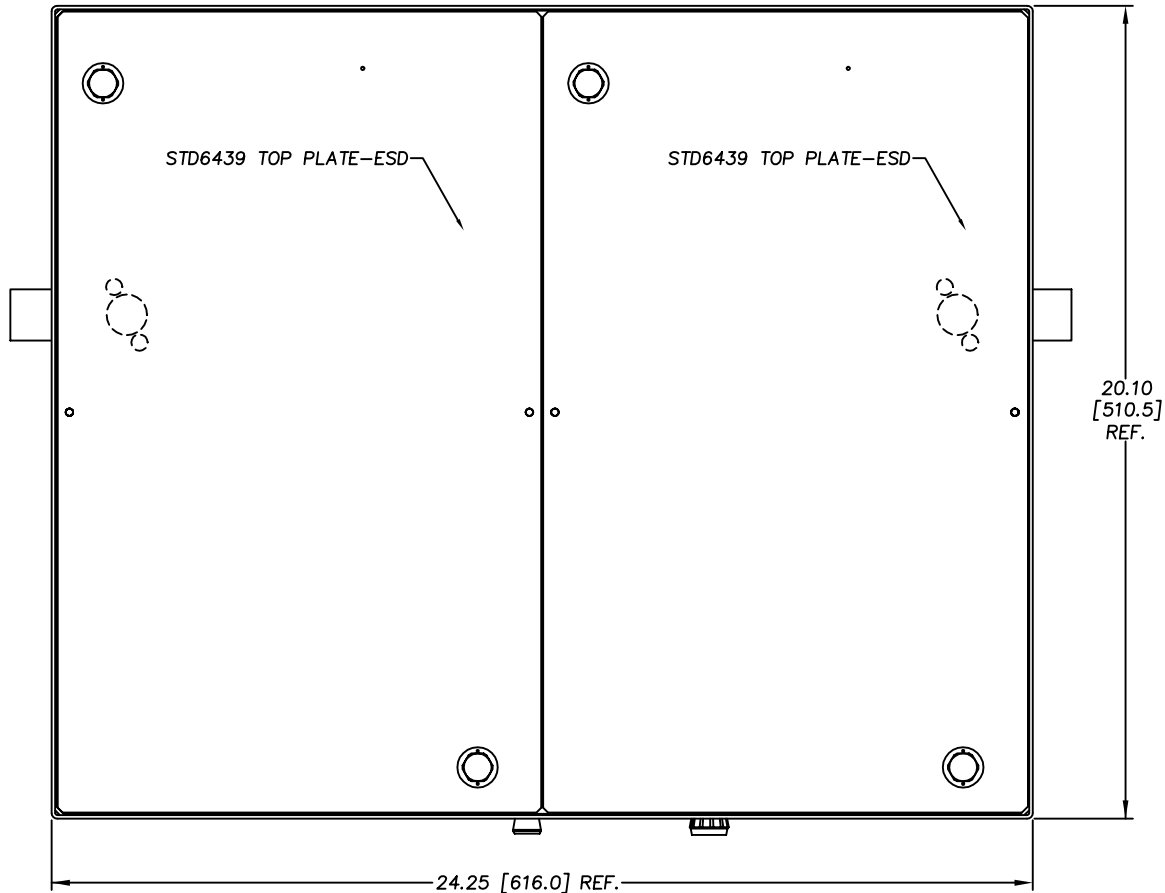


REVISIONS			
LTR	DESCRIPTION	DATE	APPROVED
A	QUICK TWST SERIES	01/01/04	JAG



		UNLESS OTHERWISE SPECIFIED DIMENSIONS ARE IN INCHES (MM) TOLERANCES ARE: .XX .XXX ANGLES ±.015 ±.005 ±1/2°	<b>H+W TEST PRODUCTS</b> SEEKONK, MASSACHUSETTS  <b>FIXTURE ASSEMBLY</b> TERADYNE 800 (18x10 UUT)	
		SEE BILL OF MATERIALS		
		FINISH NONE	SIZE E	FSCM NO. RZ86004 A
NEXT ASSY USED ON		APPLICATION	SCALE FULL	DRAWN JAG 7/18/96 SHEET 1 OF 1
		DO NOT SCALE DRAWING		

FILE NO.  
RZ86004A