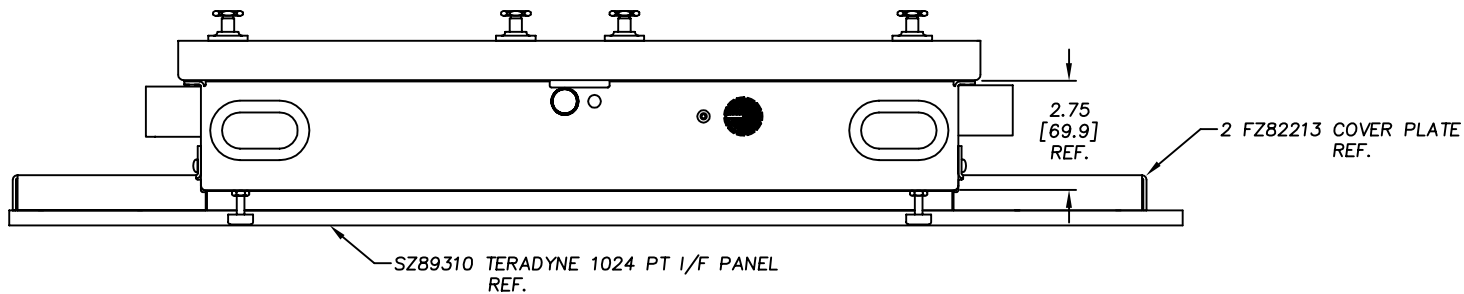
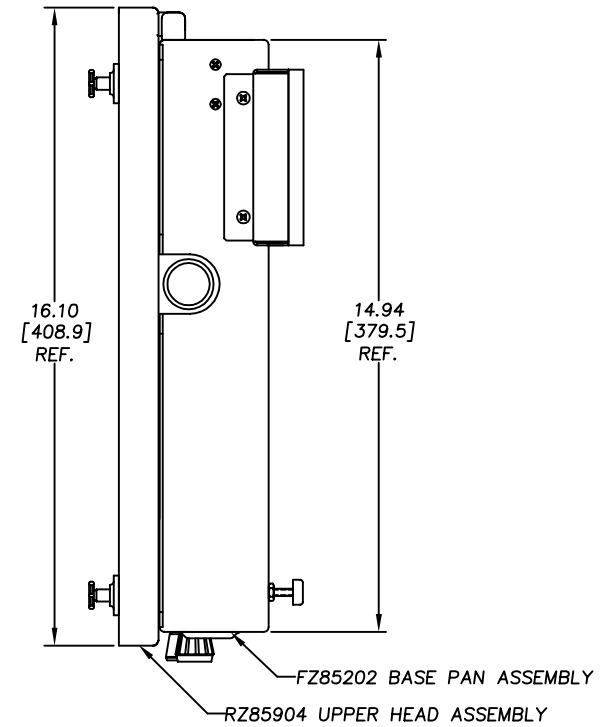
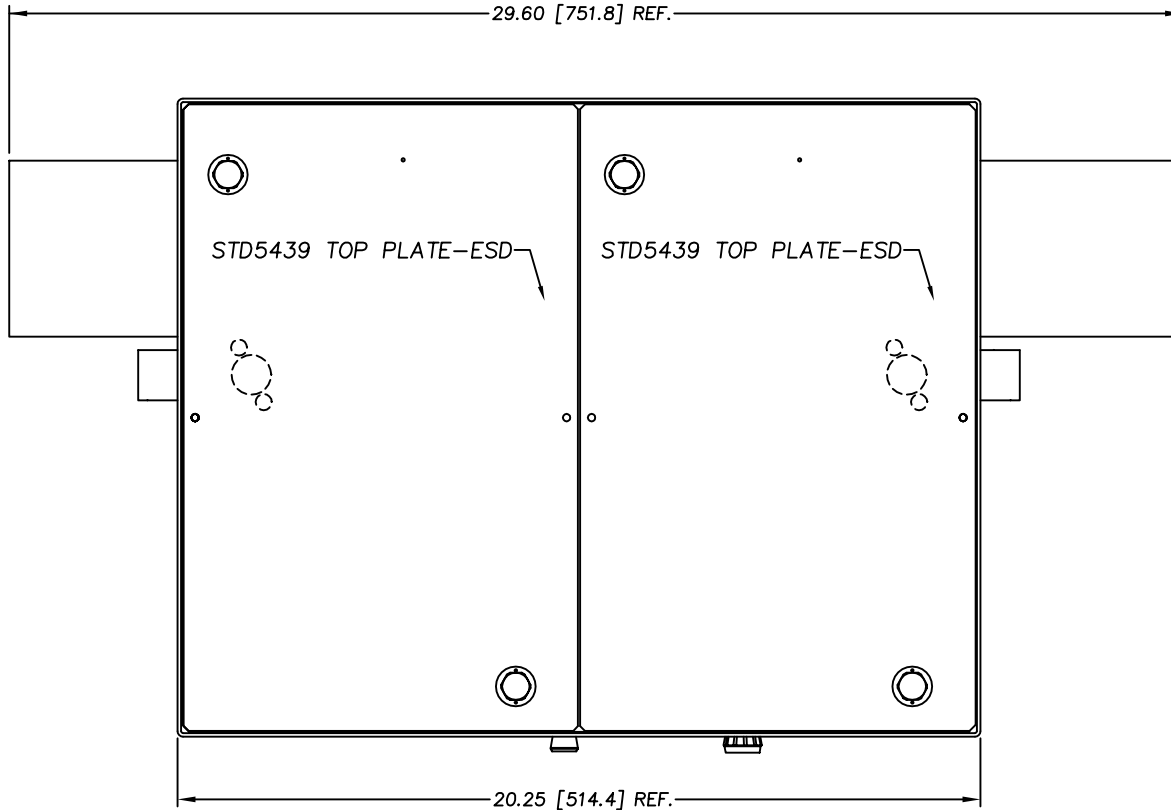


REVISIONS			
LTR	DESCRIPTION	DATE	APPROVED
A	QUICK TWIST SERIES	01/01/04	JAG



FILE NO.  
RZ85024A

		UNLESS OTHERWISE SPECIFIED DIMENSIONS ARE IN INCHES (MM) TOLERANCES ARE: .XX .XXX ANGLES ±.010 ±.005 ±1/2°		<b>H+W TEST PRODUCTS</b> SEEKONK, MASSACHUSETTS  FIXTURE ASSEMBLY TERADYNE 800 (14x8 UUT)	
		MATERIAL SEE BILL OF MATERIALS			
		FINISH NONE		SIZE E	FSCM NO.
		NEXT ASSY USED ON		DRAWING NO. RZ85024 A	
		APPLICATION		REV. A	
		DO NOT SCALE DRAWING		SCALE FULL DRAWN JAG 7/18/96 SHEET 1 OF 1	