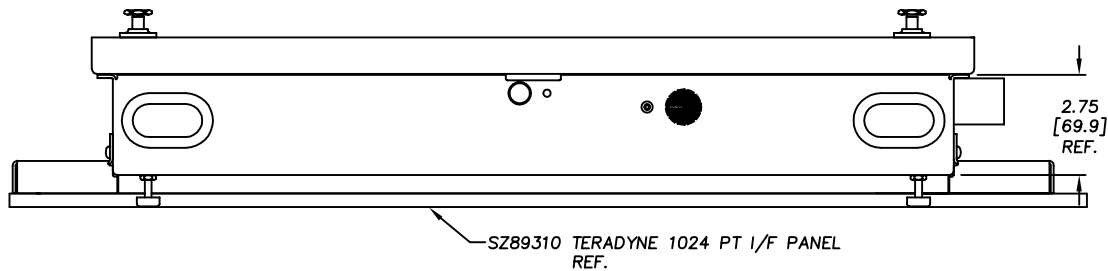
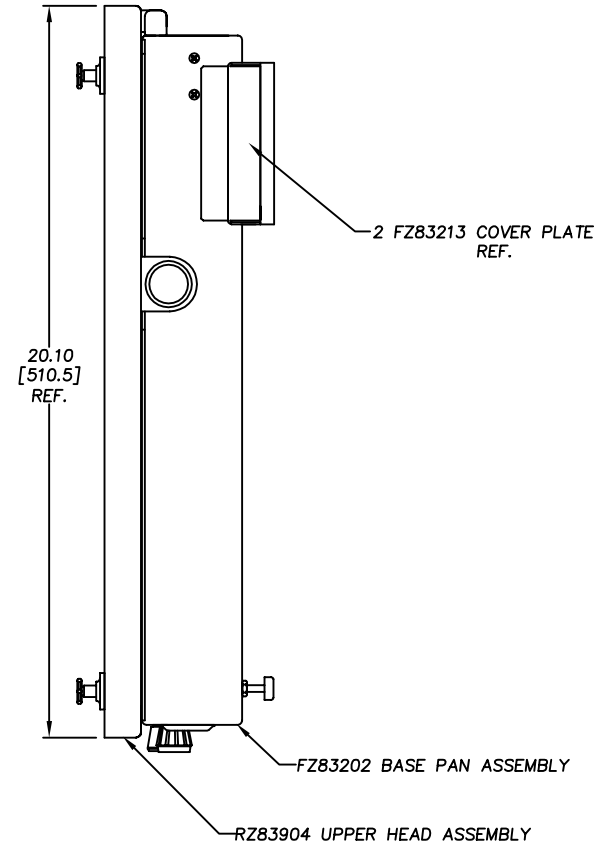
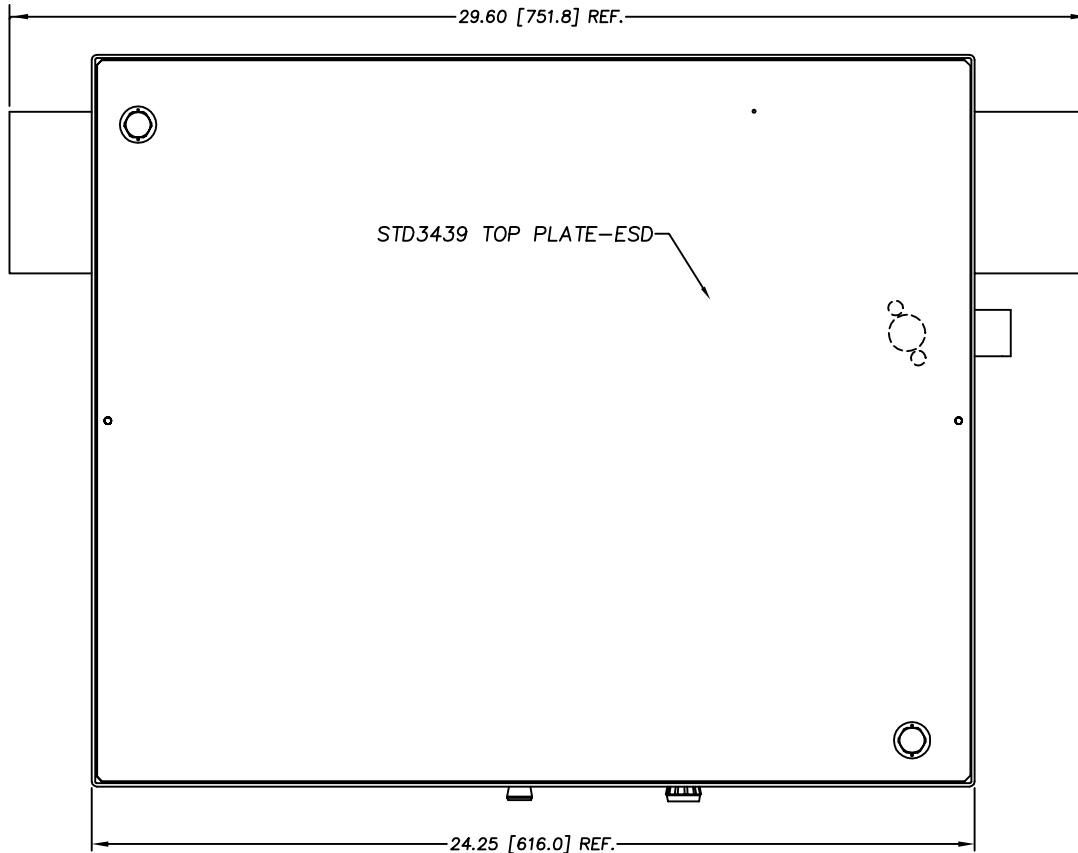


REVISIONS			
LTR	DESCRIPTION	DATE	APPROVED
A	QUICK TWIST SERIES	01/01/04	JAG



		UNLESS OTHERWISE SPECIFIED DIMENSIONS ARE IN INCHES (MM) TOLERANCES ARE: .XX .XXX ANGLES ±.015 ±.005 ±1/2°		H+W TEST PRODUCTS SEEKONK, MASSACHUSETTS	
		MATERIAL SEE BILL OF MATERIALS		FIXTURE ASSEMBLY TERADYNE 800 (18x22 UUT)	
		FINISH NONE		SIZE E	DRAWING NO. RZ83024 A
NEXT ASSY	USED ON	APPLICATION		SCALE FULL	REV. JAG
		DO NOT SCALE DRAWING		DRAWN JAG	7/18/96
				SHEET 1 OF 1	

FILE NO.  
RZ83024A