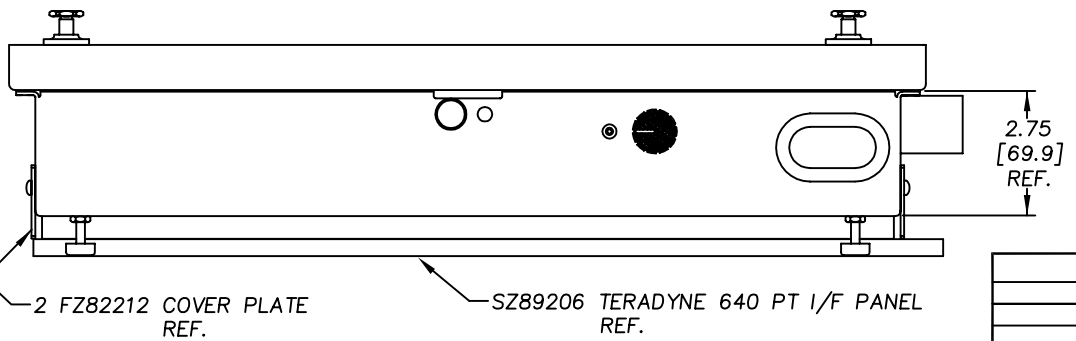
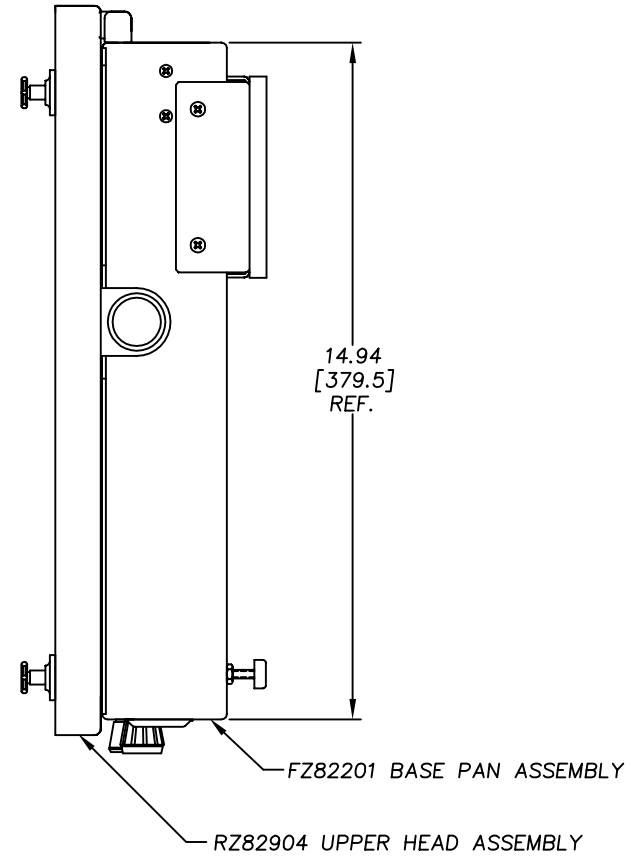
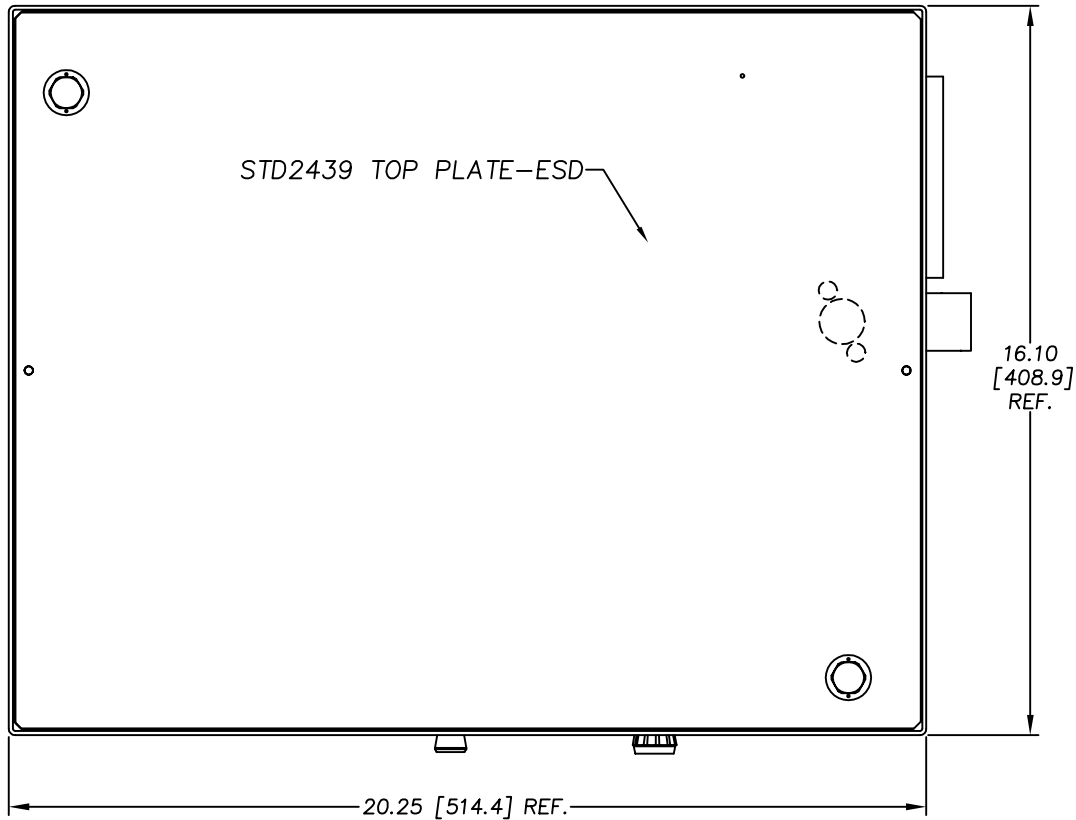


REVISIONS			
LTR	DESCRIPTION	DATE	APPROVED
A	QUICK TWIST SERIES	01/01/04	JAG



		UNLESS OTHERWISE SPECIFIED DIMENSIONS ARE IN INCHES (MM) TOLERANCES ARE: .XX .XXX ANGLES ±.010 ±.005 ±1/2°		H+W TEST PRODUCTS SEEKONK, MASSACHUSETTS FIXTURE ASSEMBLY TERADYNE 800 (14x18 UUT)	
		MATERIAL SEE BILL OF MATERIALS			
		FINISH NONE		SIZE	FSCM NO.
		NEXT ASSY		D	
		USED ON		DRAWING NO. RZ82004 A	
		APPLICATION		SCALE	REV.
		DO NOT SCALE DRAWING		FULL	1
				DRAWN	
				JAG	
				7/18/96	
				SHEET	
				1	

FILE NO.
RZ82004A