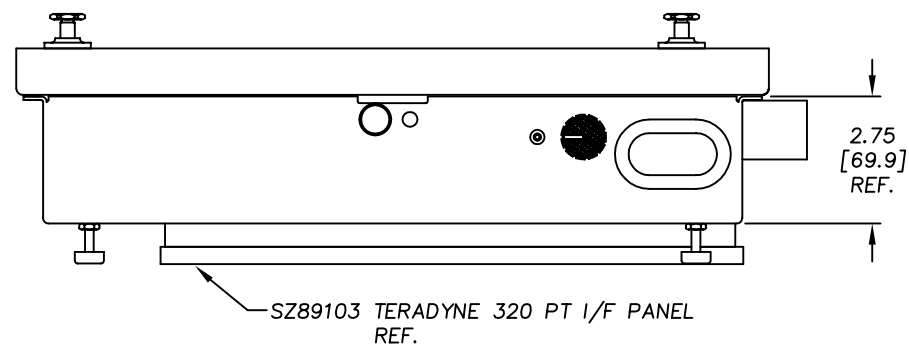
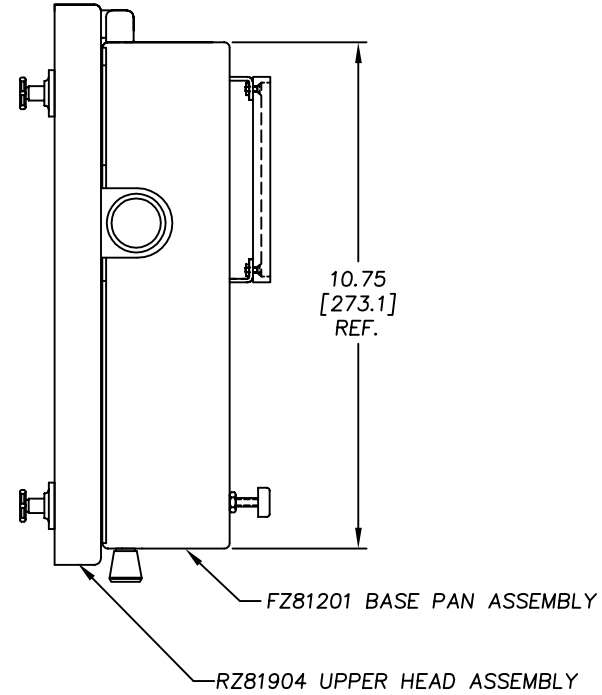
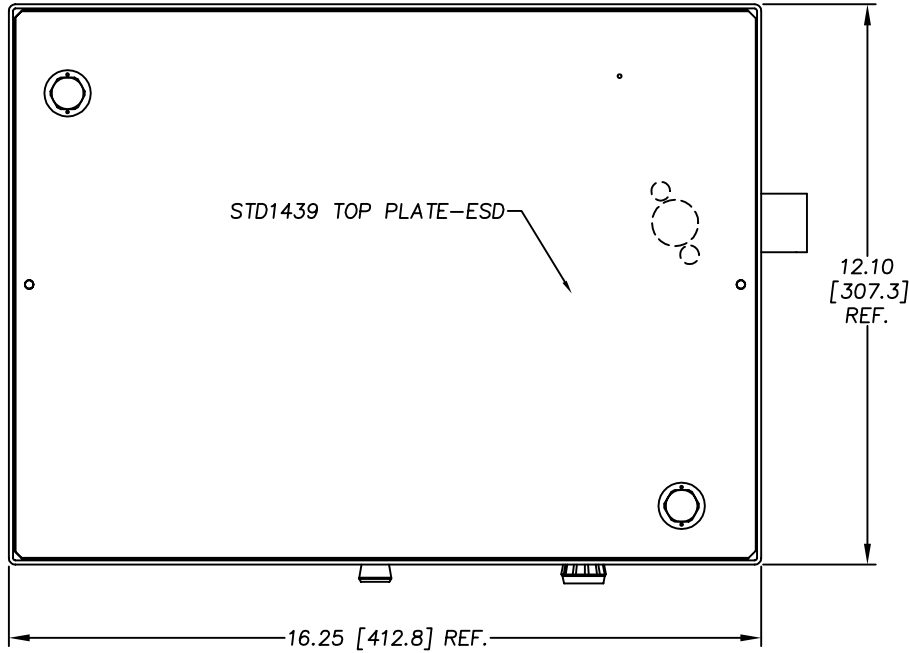


REVISIONS			
LTR	DESCRIPTION	DATE	APPROVED
A	QUICK TWST SERIES	01/01/04	JAG



		UNLESS OTHERWISE SPECIFIED DIMENSIONS ARE IN INCHES (MM) TOLERANCES ARE: .XX .XXX ANGLES ±.015 ±.005 ±1/2°	H+W TEST PRODUCTS SEEKONK, MASSACHUSETTS	
		MATERIAL SEE BILL OF MATERIALS	FIXTURE ASSEMBLY TERADYNE 800 (10x14 UUT)	
		FINISH NONE	SIZE D	FSCM NO. DRAWING NO. RZ81004
NEXT ASSY USED ON		SCALE FULL	DRAWN JAG	REV. A
APPLICATION		DO NOT SCALE DRAWING	DATE 7/18/96	SHEET 1 OF 1

FILE NO.
RZ81004A