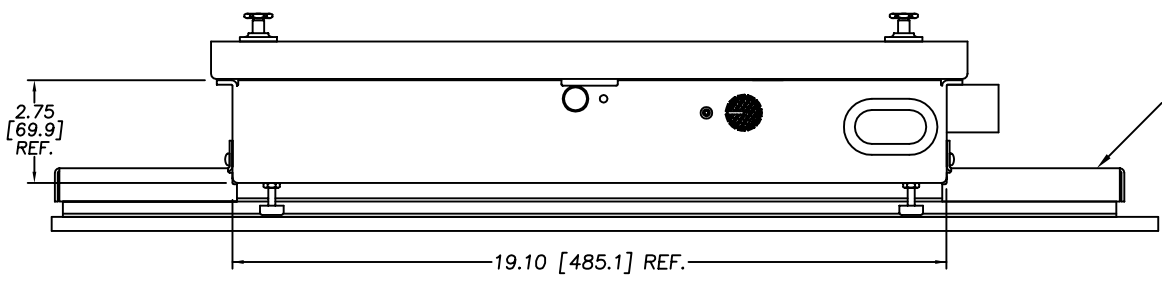
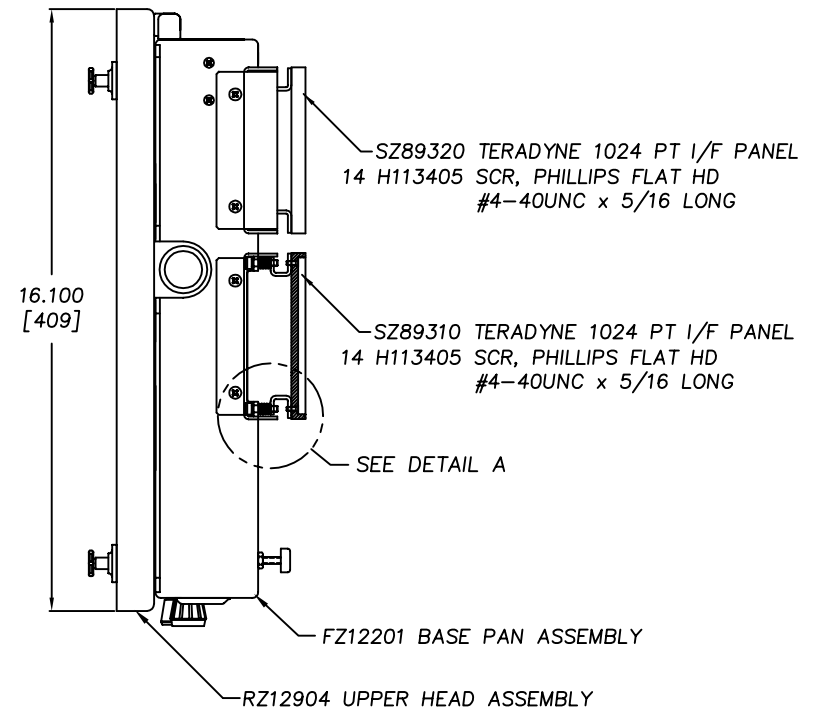
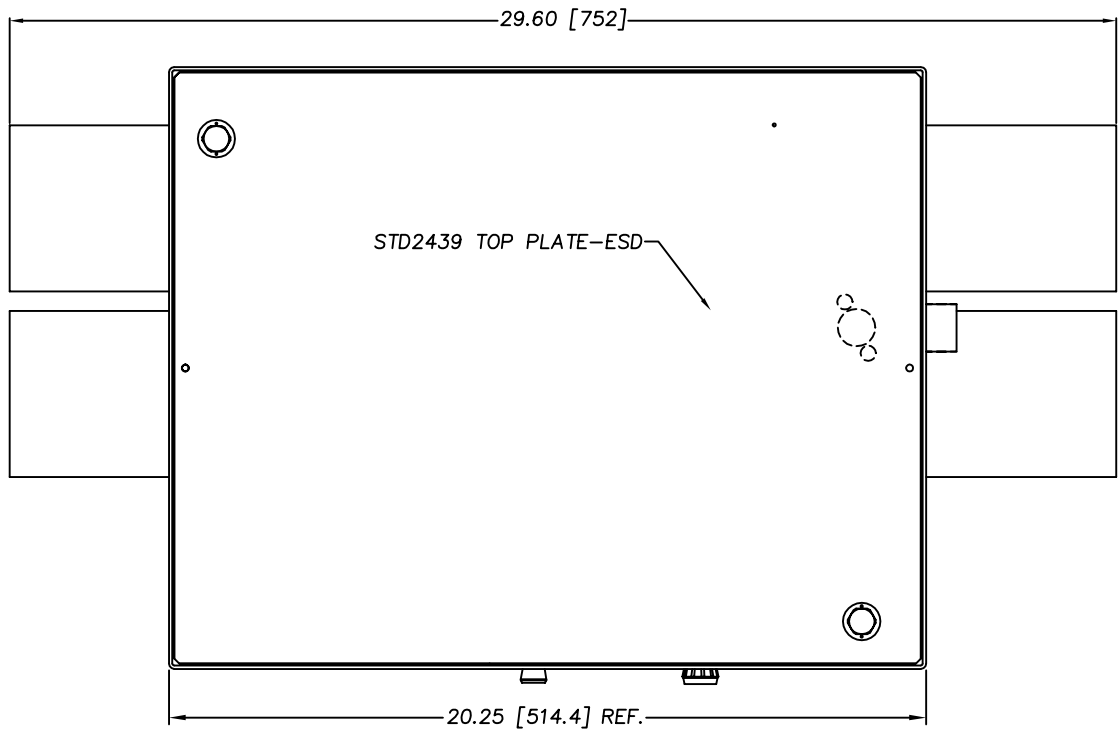
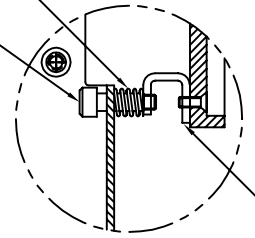


REVISIONS			
LTR	DESCRIPTION	DATE	APPROVED
A	QUICK TWIST SERIES	01/01/04	JAG



- 8 H005006 SPRING, COMP.
ø.30 x .50 LONG
- 8 H115808 SCR, SHOULDER
ø.188 x 1/2 LONG
#8-32UNC x 1/4 LONG



DETAIL A

4 FZ83215 I/F PANEL STIFFENER

		UNLESS OTHERWISE SPECIFIED DIMENSIONS ARE IN INCHES (MM) TOLERANCES ARE: .XX .XXX ANGLES ±.015 ±.005 ±1/2°	H+W TEST PRODUCTS SEEKONK, MASSACHUSETTS			
		SEE BILL OF MATERIALS				
		FINISH NONE	SIZE E	FSCM NO.	DRAWING NO. RZ12004 A	REV. A
NEXT ASSY	USED ON	APPLICATION	DO NOT SCALE DRAWING	SCALE FULL	DRAWN JAG	7/18/96 SHEET 1 OF 1

FILE NO.
RZ12004A