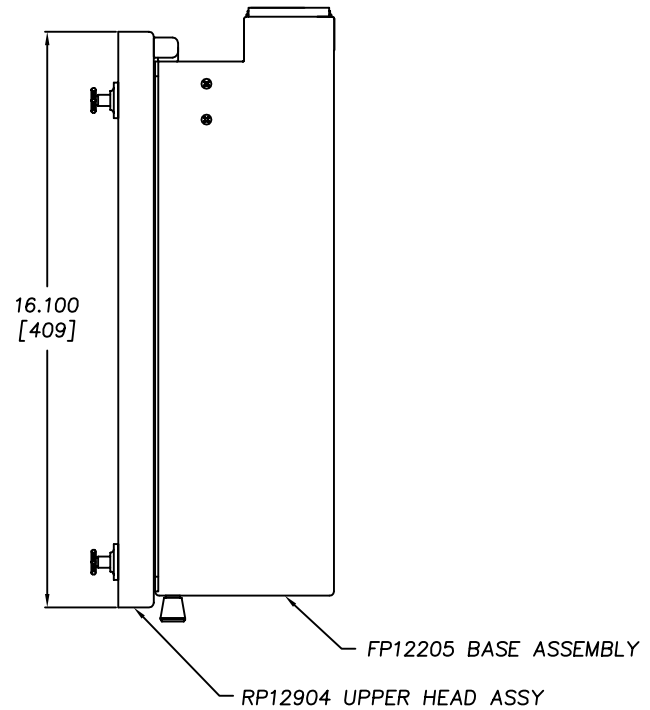


REVISIONS			
LTR	DESCRIPTION	DATE	APPROVED
A	RELEASE TO PRODUCTION	05/09/07	JAG



FILE NO.  
RP12054A

		UNLESS OTHERWISE SPECIFIED DIMENSIONS ARE IN INCHES (MM) TOLERANCES ARE: .XX .XXX ANGLES ±.015 ±.005 ±1/2°		H+W TEST PRODUCTS SEEKONK, MASSACHUSETTS	
		MATERIAL SEE BILL OF MATERIALS		FIXTURE ASSEMBLY PYLON 1280 POINT	
		FINISH NONE		SIZE E	FSCM NO. DRAWING NO. REV.
NEXT ASSY USED ON		DO NOT SCALE DRAWING		RP12054 A	
APPLICATION		SCALE FULL		DRAWN JAG 05/09/07 SHEET 1 OF 1	