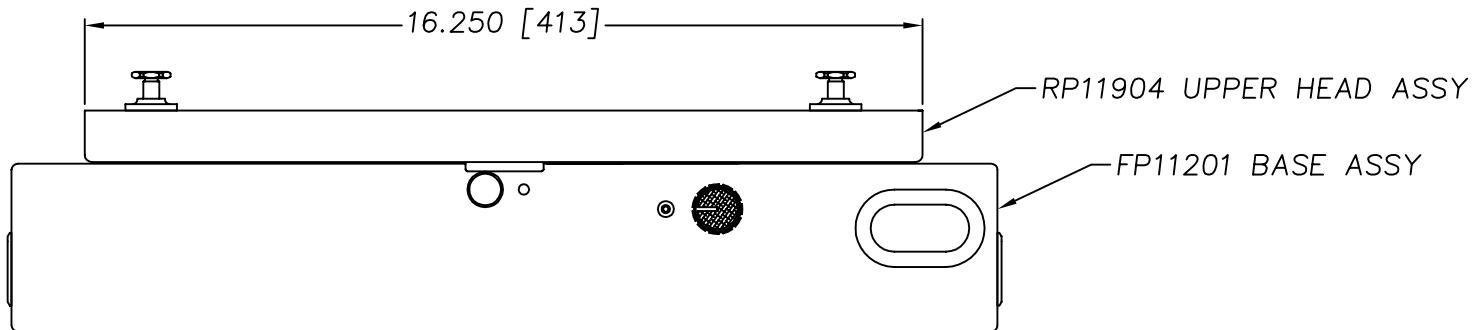
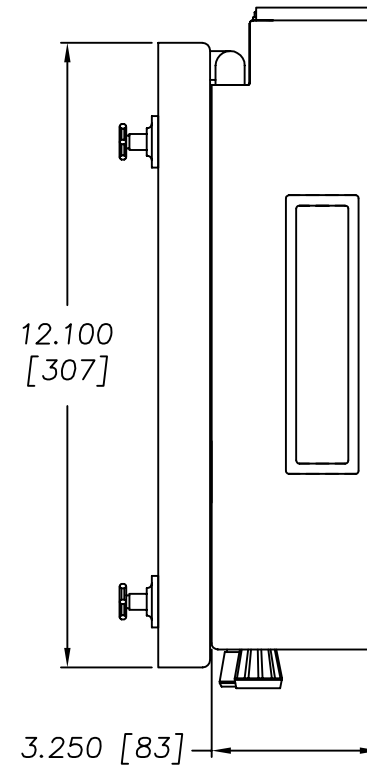
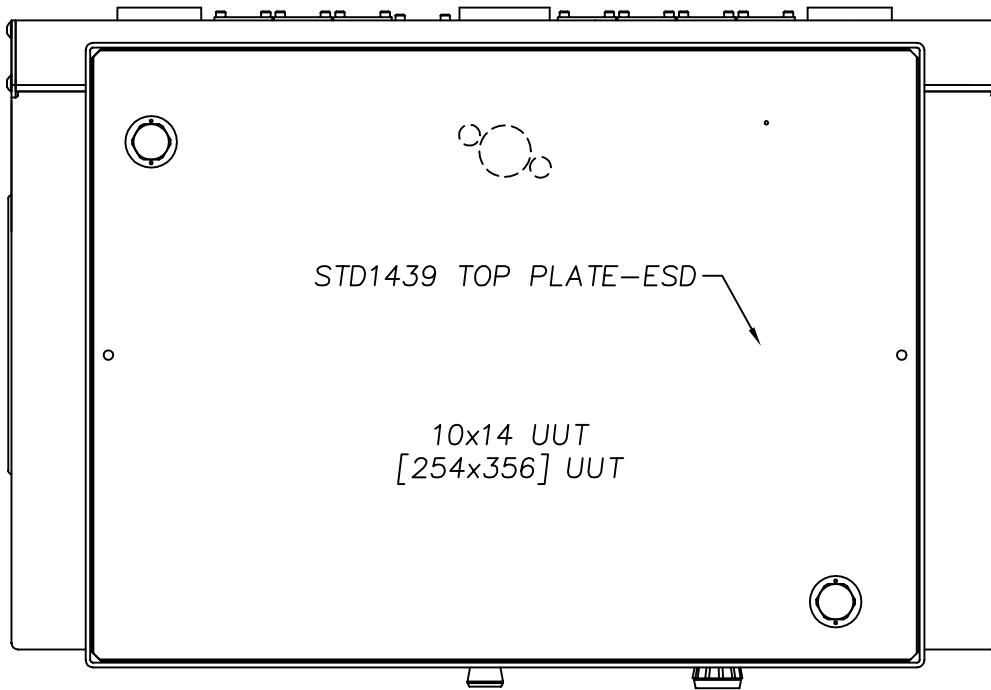


REVISIONS			
LTR	DESCRIPTION	DATE	APPROVED
A	QUICK TWIST SERIES	05/10/2007	JAG



		UNLESS OTHERWISE SPECIFIED DIMENSIONS ARE IN INCHES (MM) TOLERANCES ARE: .XX .XXX ANGLES ±.010 ±.005 ±1/2° MATERIAL SEE BILL OF MATERIALS	<b>H+W TEST PRODUCTS</b> SEEKONK, MASSACHUSETTS	
		FINISH NONE	SIZE E	FSCM NO. DRAWING NO. REV. RP11004 A
NEXT ASSY	USED ON	APPLICATION	SCALE FULL	DRAWN JAG 05/10/2007 SHEET 1 OF 1

FILE NO.  
RP11004A