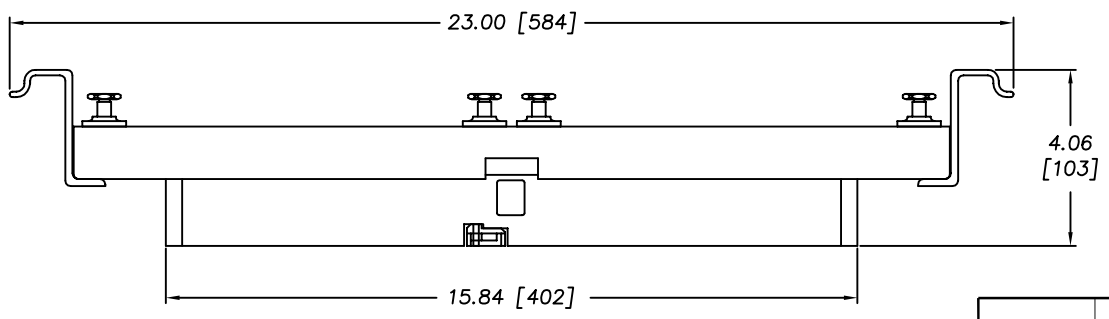
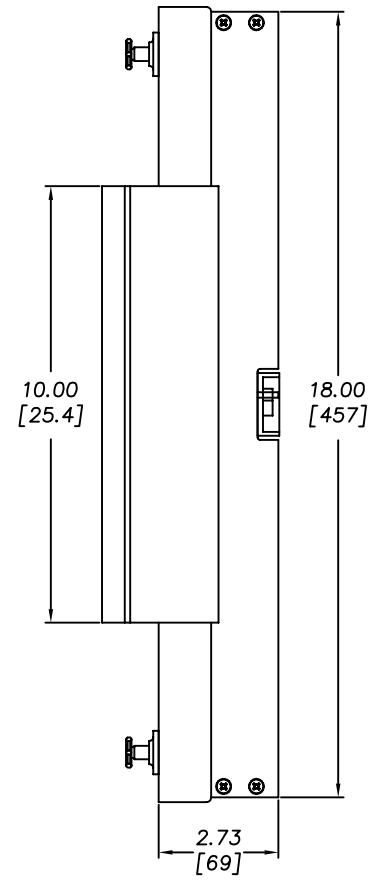
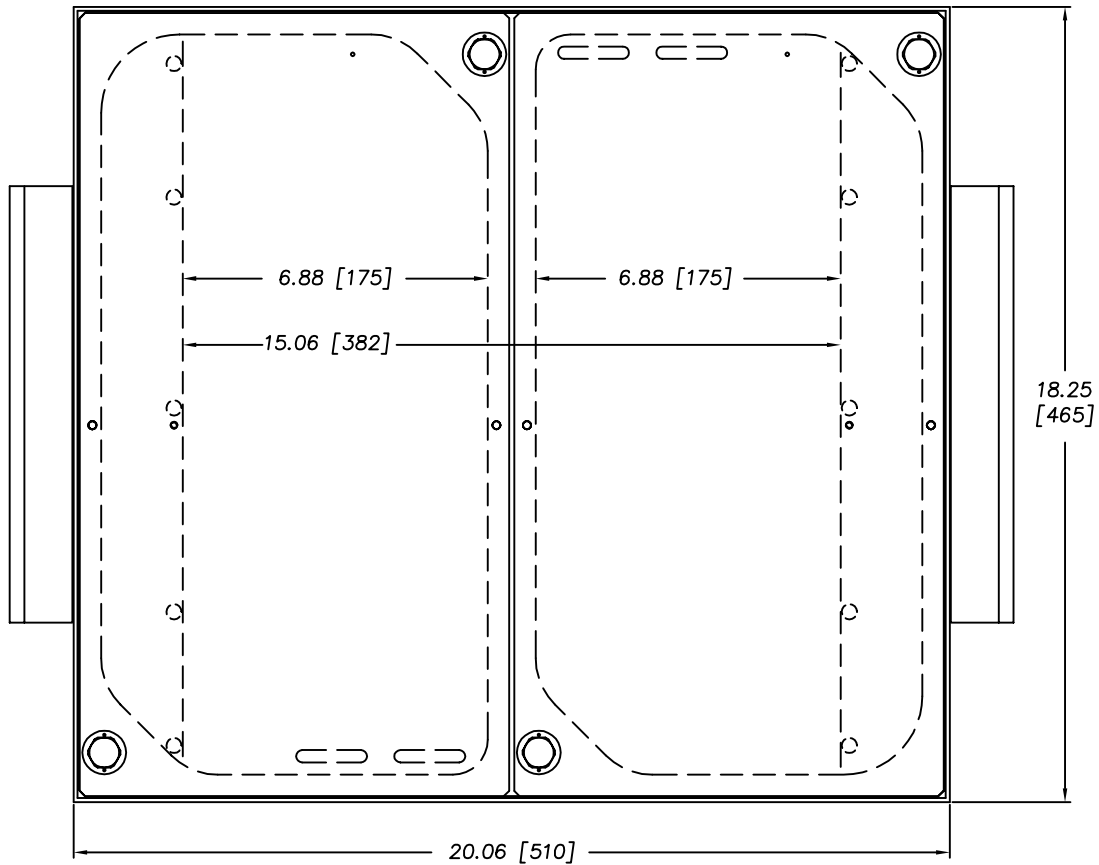


REVISIONS			
LTR	DESCRIPTION	DATE	APPROVED
A	QUICK TWIST SERIES	01/01/2007	JAG



FILE NO.
RH86004A

		UNLESS OTHERWISE SPECIFIED DIMENSIONS ARE IN INCHES [MM] TOLERANCES ARE: .XX .XXX ANGLES ±.015 ±.005 ±1/2°		H+W TEST PRODUCTS SEEKONK, MASSACHUSETTS FIXTURE ASSY-ESD AGILENT 3070 SINGLE BANK EXTENDED DUAL WELL FIXTURE	
		MATERIAL SEE BILL OF MATERIALS			
		FINISH NONE		SIZE E	FSCM NO.
		NEXT ASSY USED ON		DRAWING NO. RH86004 A	
APPLICATION		DO NOT SCALE DRAWING		SCALE FULL DRAWN JAG 03/14/2002 SHEET 1 OF 1	