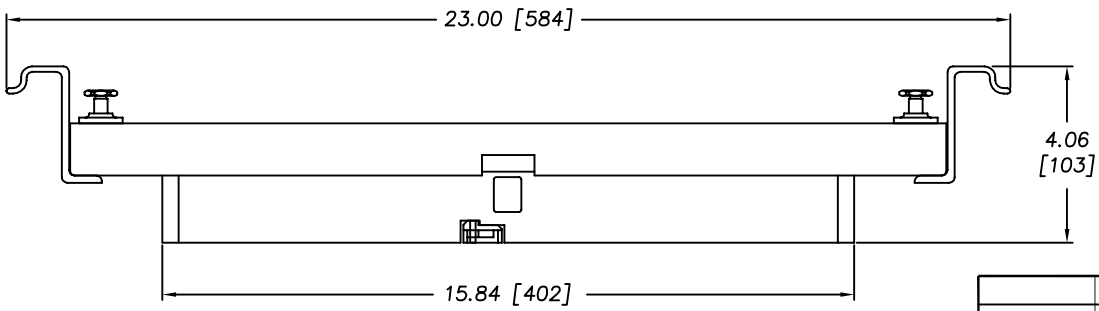
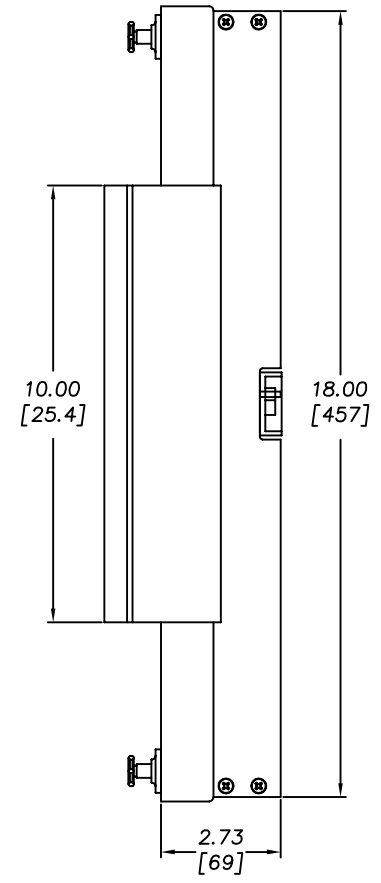
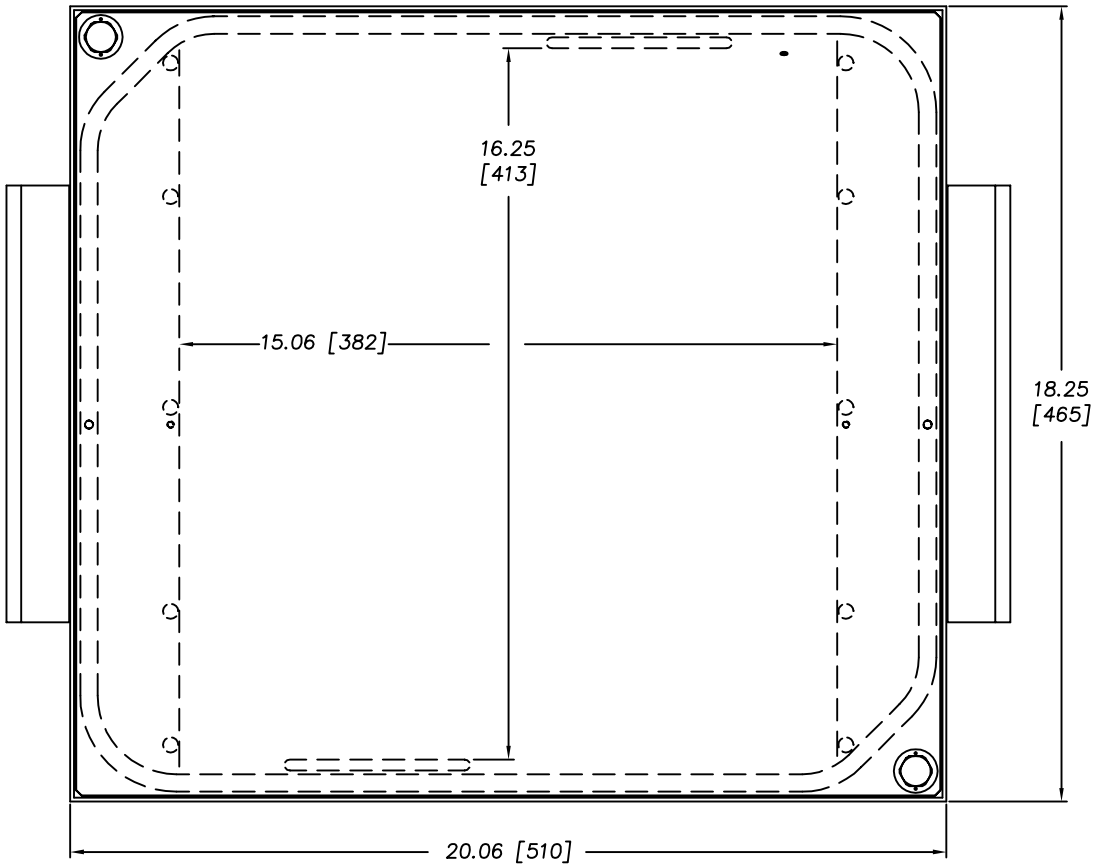


REVISIONS			
LTR	DESCRIPTION	DATE	APPROVED
A	QUICK TWIST SERIES	01/01/2007	JAG



FILE NO.  
RH82004A

		UNLESS OTHERWISE SPECIFIED DIMENSIONS ARE IN INCHES [MM] TOLERANCES ARE: .XX .XXX ANGLES ±.015 ±.005 ±1/2°		<b>H+W TEST PRODUCTS</b> SEEKONK, MASSACHUSETTS	
		MATERIAL SEE BILL OF MATERIALS		FIXTURE ASSY-ESD AGILENT 3070 SINGLE BANK EXTENDED FIXTURE	
		FINISH NONE		SIZE FSCM NO.	DRAWING NO.
NEXT ASSY		USED ON		E	RH82004 A
APPLICATION		DO NOT SCALE DRAWING		SCALE FULL	DRAWN JAG 03/14/2002 SHEET 1 OF 1