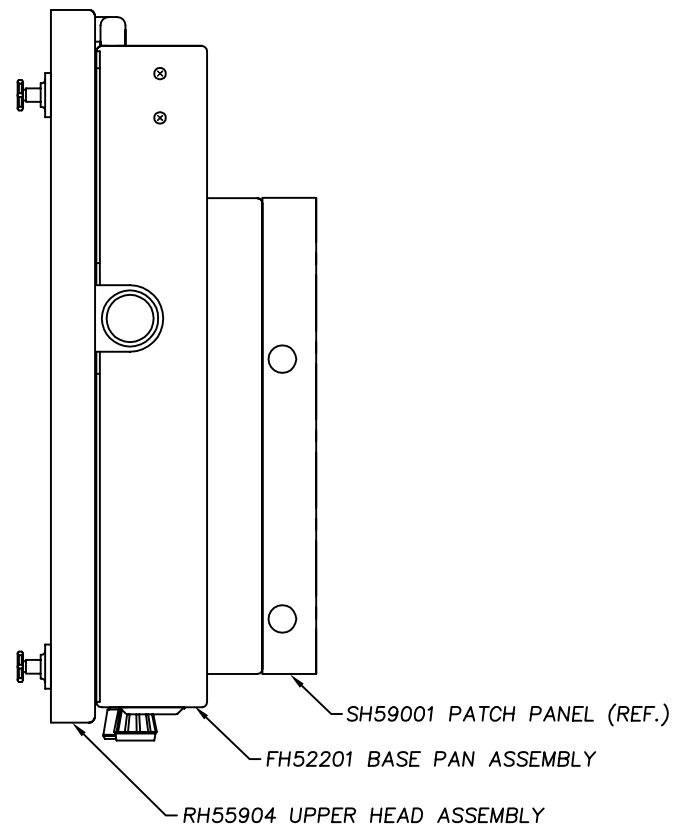
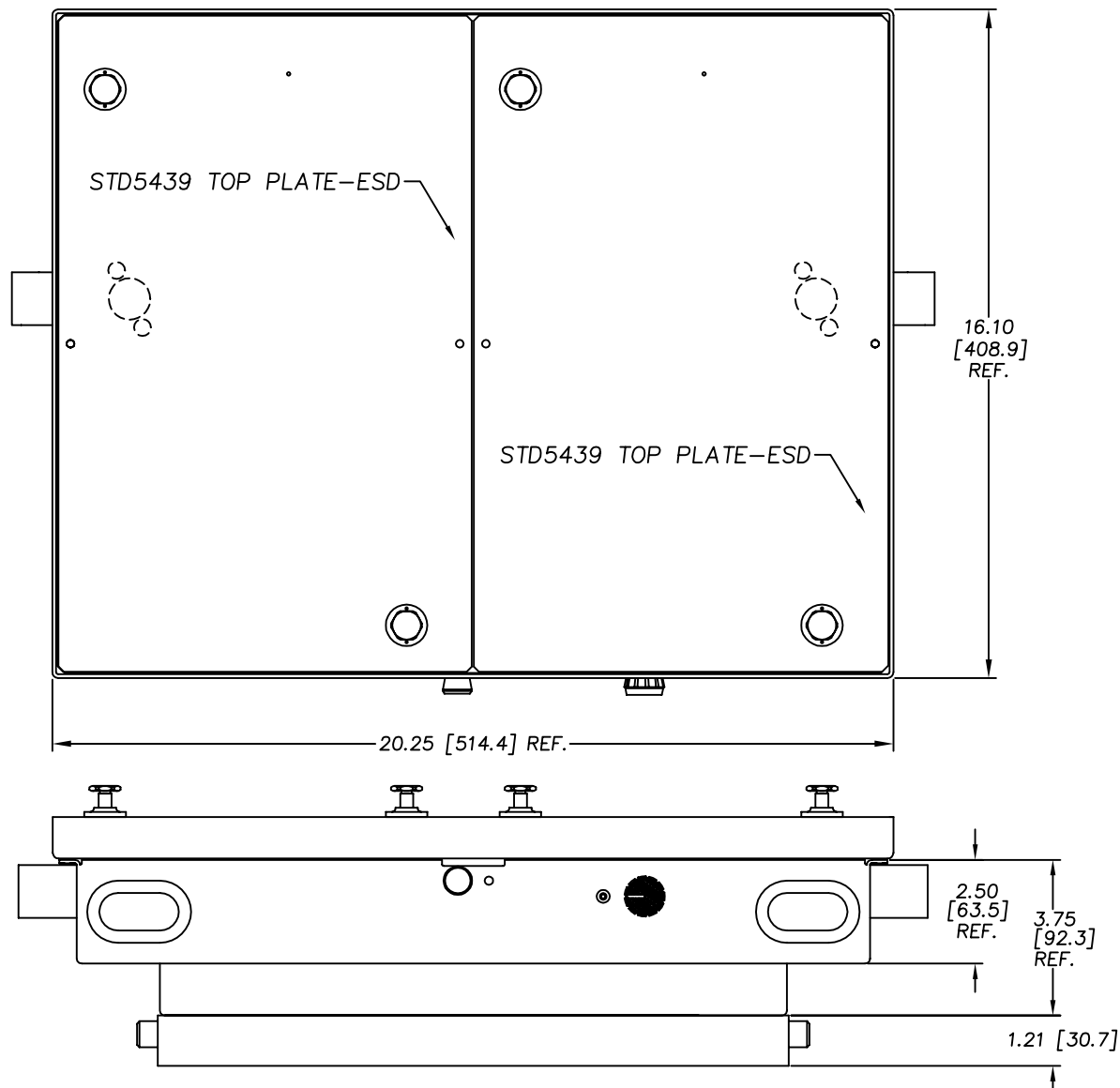


REVISIONS			
LTR	DESCRIPTION	DATE	APPROVED
A	QUICK TWST SERIES	01/01/07	JAG



		UNLESS OTHERWISE SPECIFIED DIMENSIONS ARE IN INCHES (MM) TOLERANCES ARE: .XX .XXX ANGLES ±.015 ±.005 ±1/2°		H+W TEST PRODUCTS SEEKONK, MASSACHUSETTS FIXTURE ASSEMBLY HP 3065 (14x8 UUT)	
		MATERIAL: SEE BILL OF MATERIALS			
		FINISH: NONE		SIZE: D	FSCM NO.:
NEXT ASSY USED ON APPLICATION		DO NOT SCALE DRAWING		DRAWING NO.:	REV.:
				RH55004 A	
		SCALE FULL		DRAWN JAG	11/22/95 SHEET 1 OF 1

FILE NO.
RH55004A