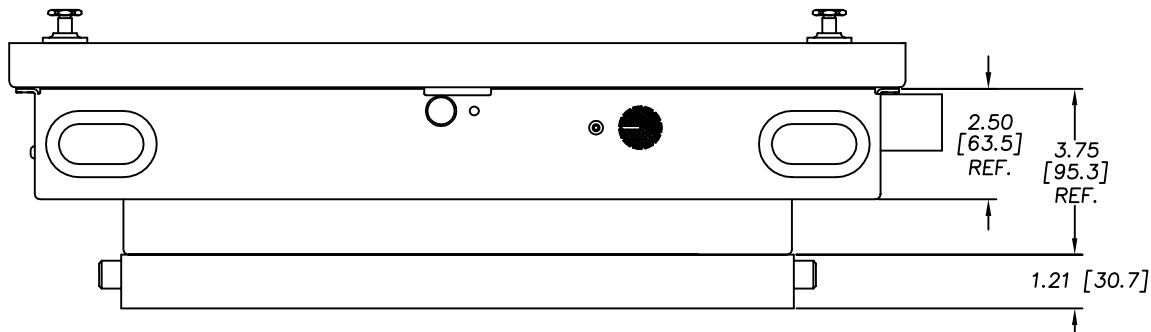
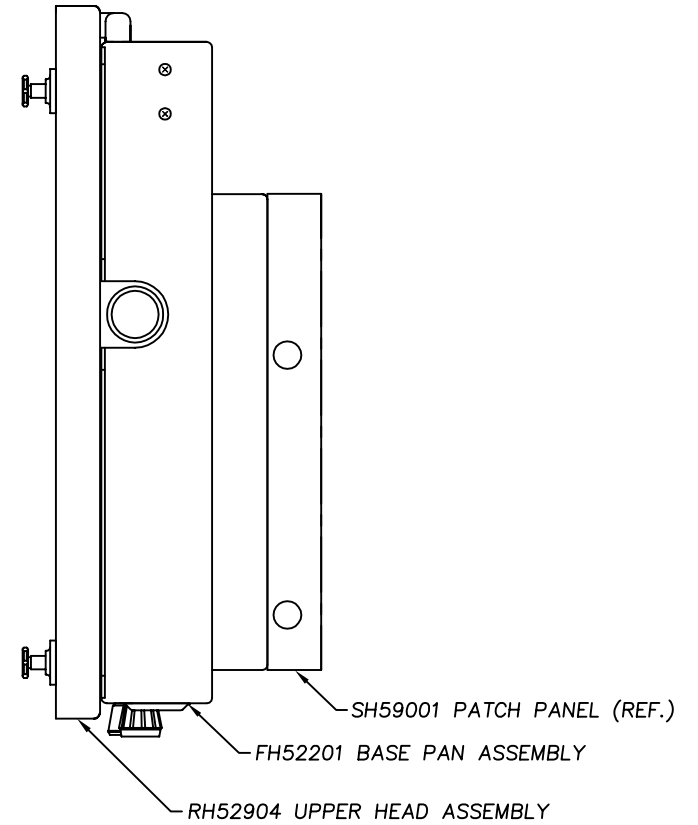
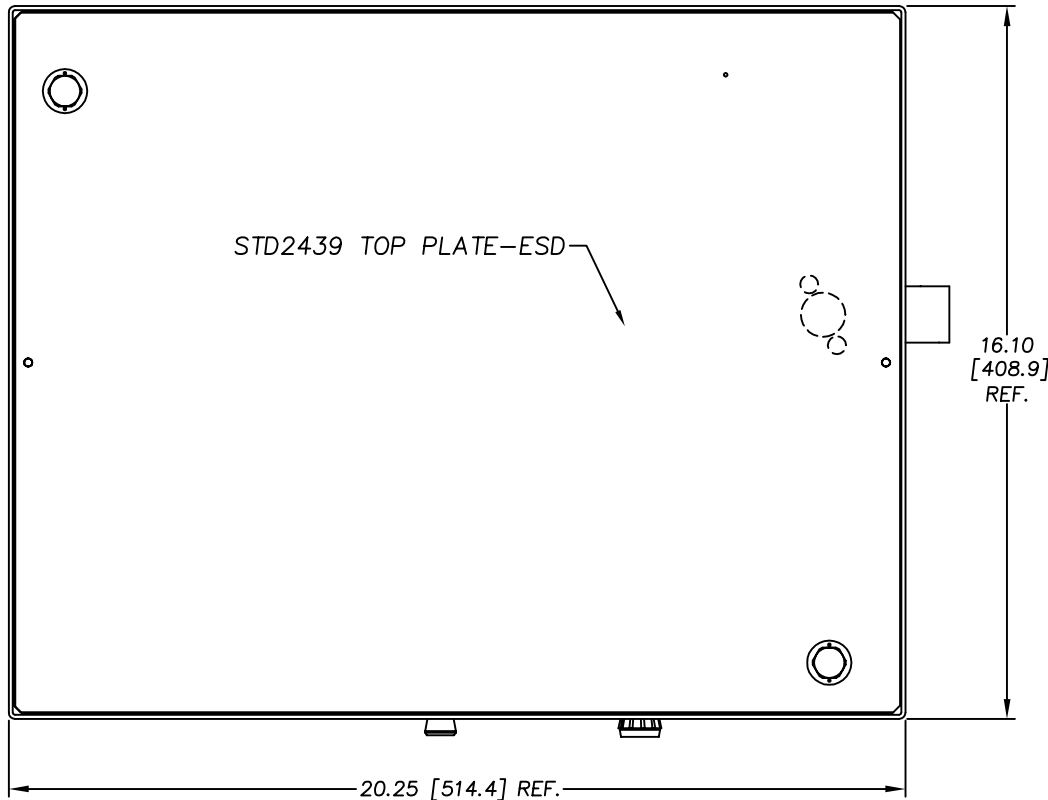


REVISIONS			
LTR	DESCRIPTION	DATE	APPROVED
A	QUICK TWIST SERIES	01/01/07	JAG



		UNLESS OTHERWISE SPECIFIED DIMENSIONS ARE IN INCHES (MM) TOLERANCES ARE: .XX .XXX ANGLES ±.015 ±.005 ±1/2°		H+W TEST PRODUCTS SEEKONK, MASSACHUSETTS	
		MATERIAL: SEE BILL OF MATERIALS		FIXTURE ASSEMBLY HP 3065 (14x18 UUT)	
		FINISH: NONE		SIZE: FSCM NO.	DRAWING NO.
NEXT ASSY		USED ON		D	RH52004 A
APPLICATION		DO NOT SCALE DRAWING		SCALE FULL	DRAWN JAG 11/22/95 SHEET 1 OF 1

FILE NO.
RH52004A