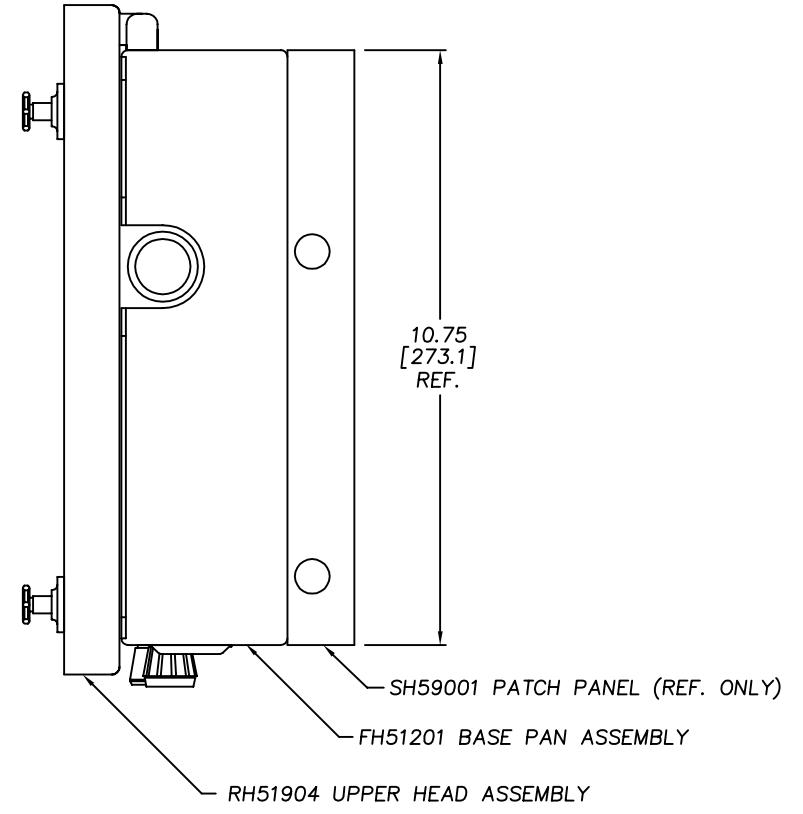
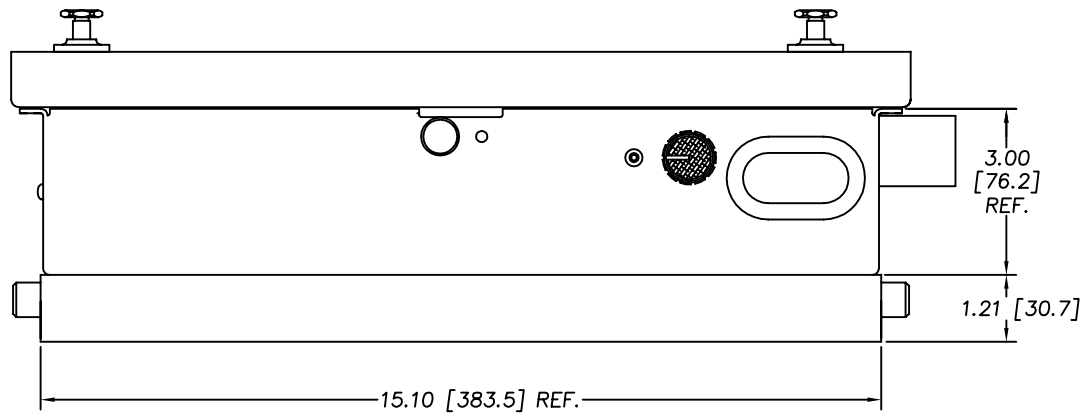
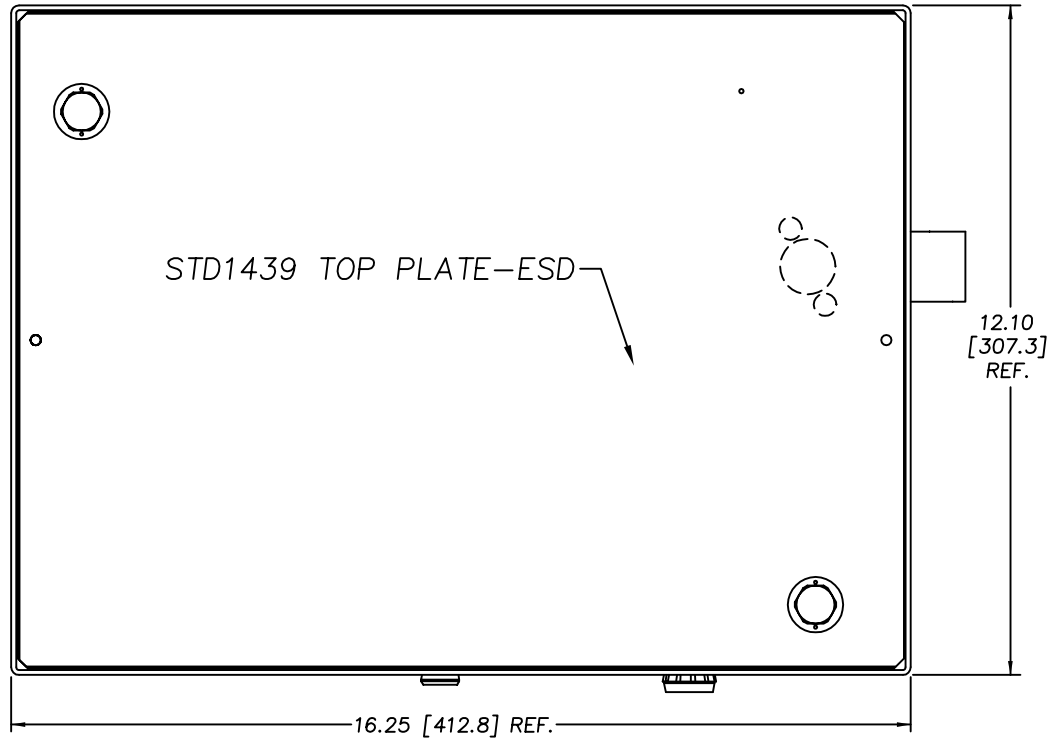


REVISIONS			
LTR	DESCRIPTION	DATE	APPROVED
A	QUICK TWIST SERIES	01/01/07	JAG



		UNLESS OTHERWISE SPECIFIED DIMENSIONS ARE IN INCHES (MM) TOLERANCES ARE: .XX .XXX ANGLES ±.015 ±.005 ±1/2°	H+W TEST PRODUCTS SEEKONK, MASSACHUSETTS	
		MATERIAL SEE BILL OF MATERIALS	FIXTURE ASSEMBLY HP 3065 (10x14 UUT)	
		FINISH NONE	SIZE D	FSCM NO. DRAWING NO. RH51004 A
NEXT ASSY	USED ON	APPLICATION	DO NOT SCALE DRAWING	SCALE FULL DRAWN JAG 11/22/95 SHEET 1 OF 1

FILE NO.
RH51004A