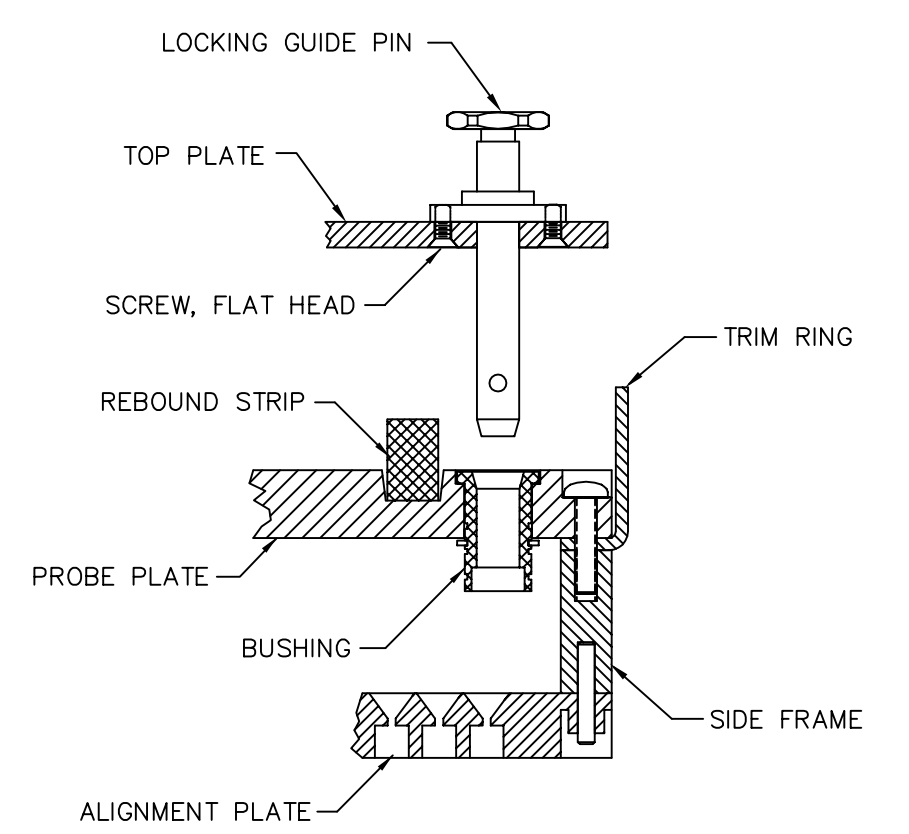
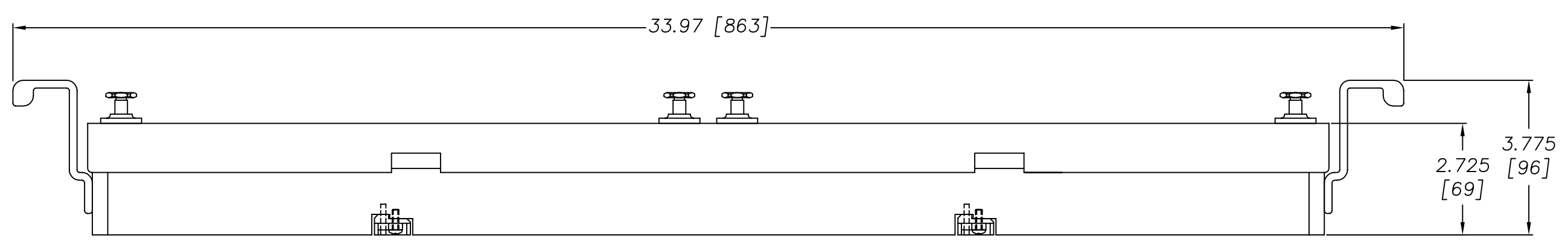
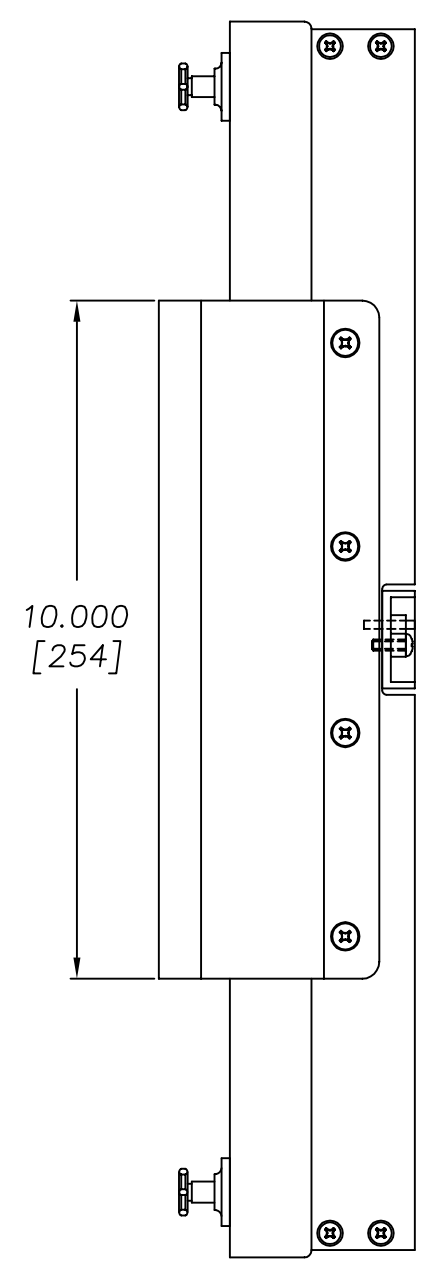
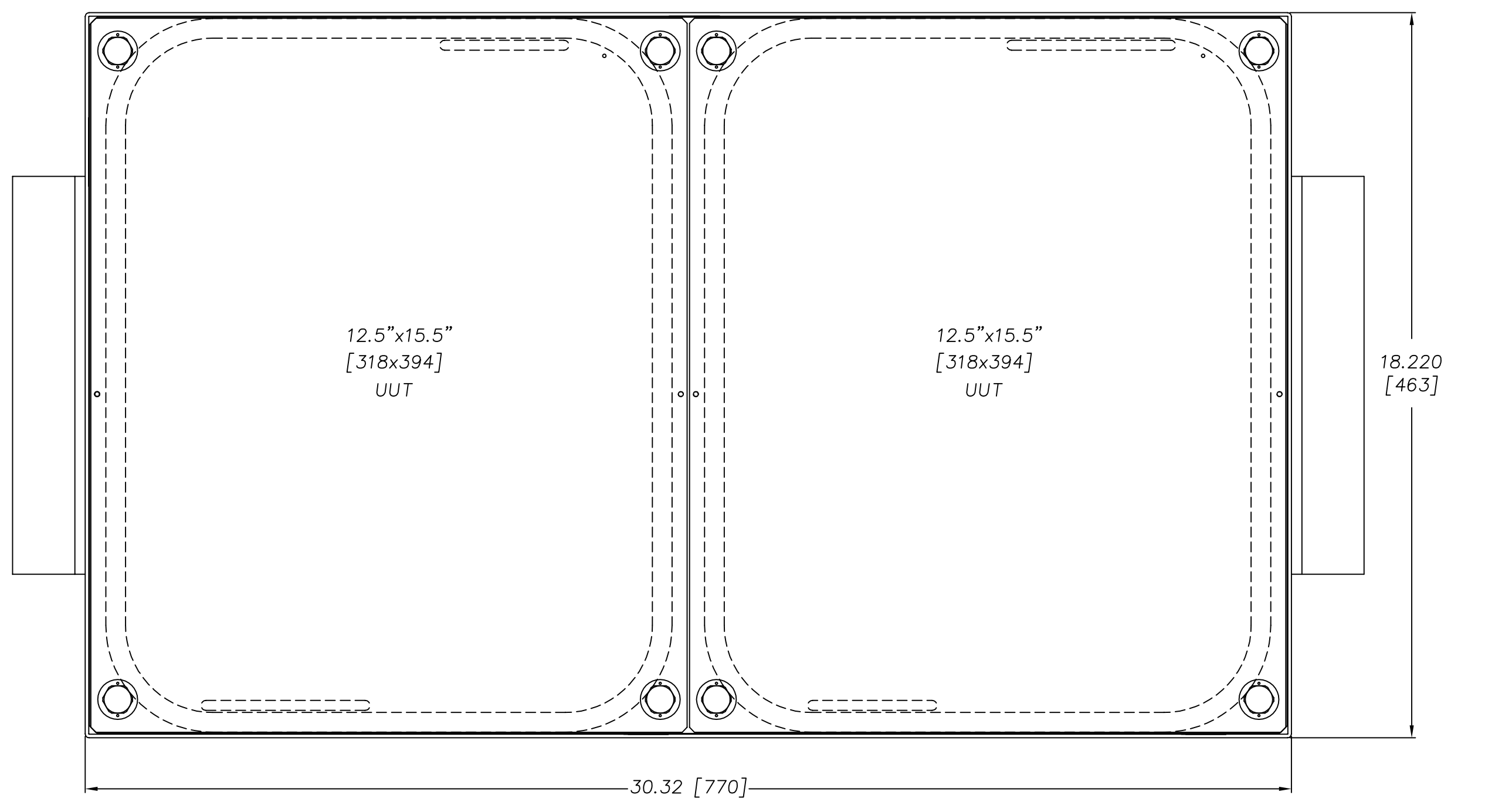


REVISIONS			
LTR	DESCRIPTION	DATE	APPROVED
A	QUICK TWIST SERIES	01/01/2007	JAG



		UNLESS OTHERWISE SPECIFIED DIMENSIONS ARE IN INCHES (MM) TOLERANCES ARE: .XX .XXX ANGLES ±.010 ±.005 ±1/2°	H+W TEST PRODUCTS SEEKONK, MASSACHUSETTS	
		MATERIAL SEE BILL OF MATERIALS	FIXTURE ASSEMBLY-ESD AGILENT 3070 DOUBLE BANK, DUAL WELL	
		FINISH NONE	SIZE FSCM NO. D	DRAWING NO. RH37004A
NEXT ASSY	USED ON	APPLICATION	SCALE FULL	DRAWN JAG 01/01/2007 SHEET 1 OF 1
		DO NOT SCALE DRAWING		

FILE NO.
RH37004A