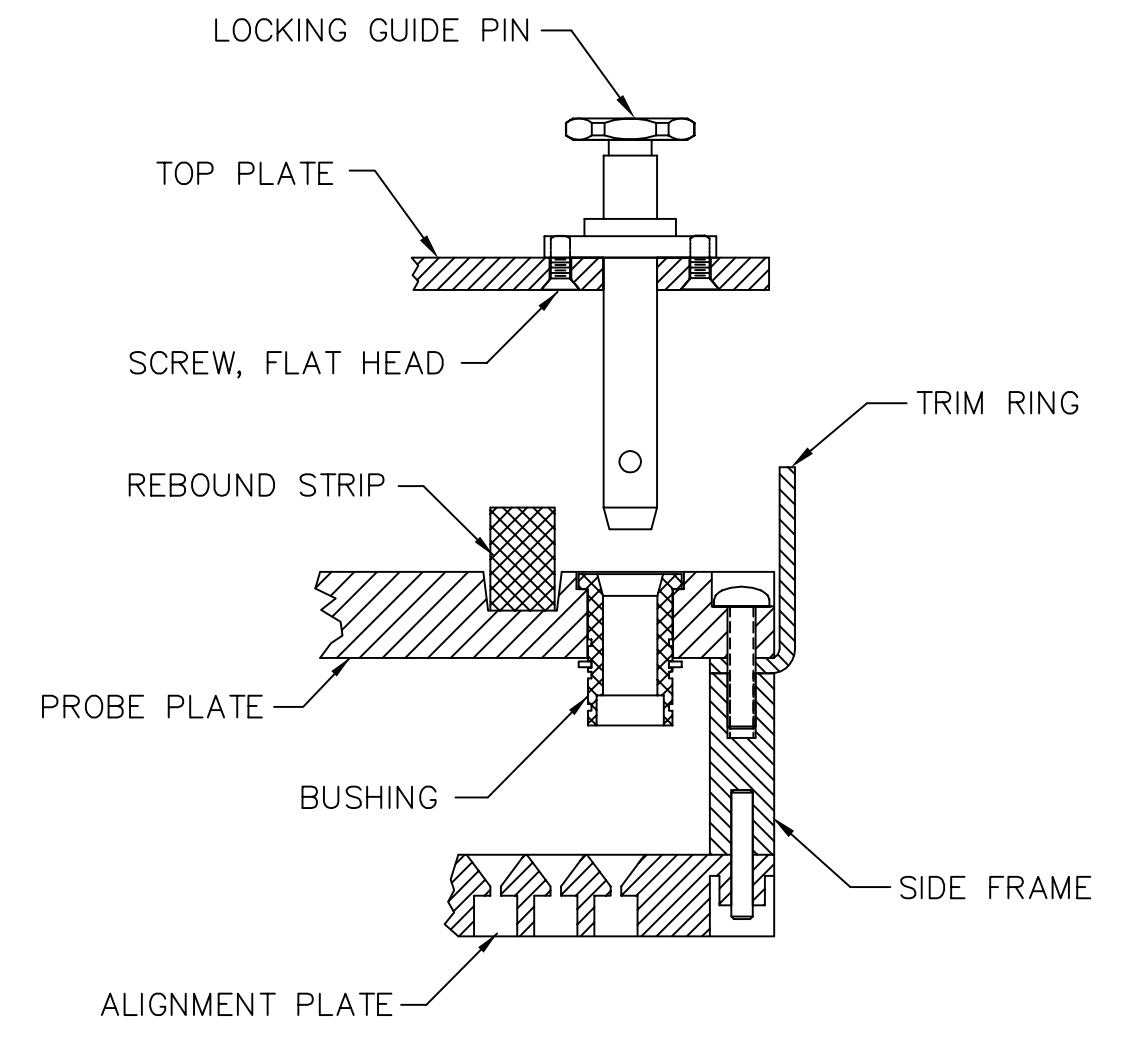
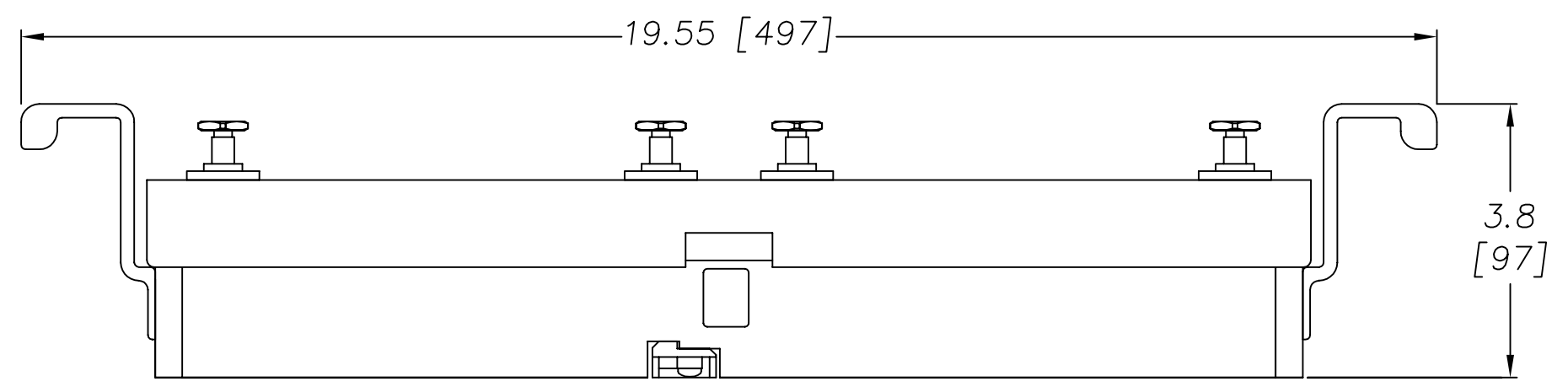
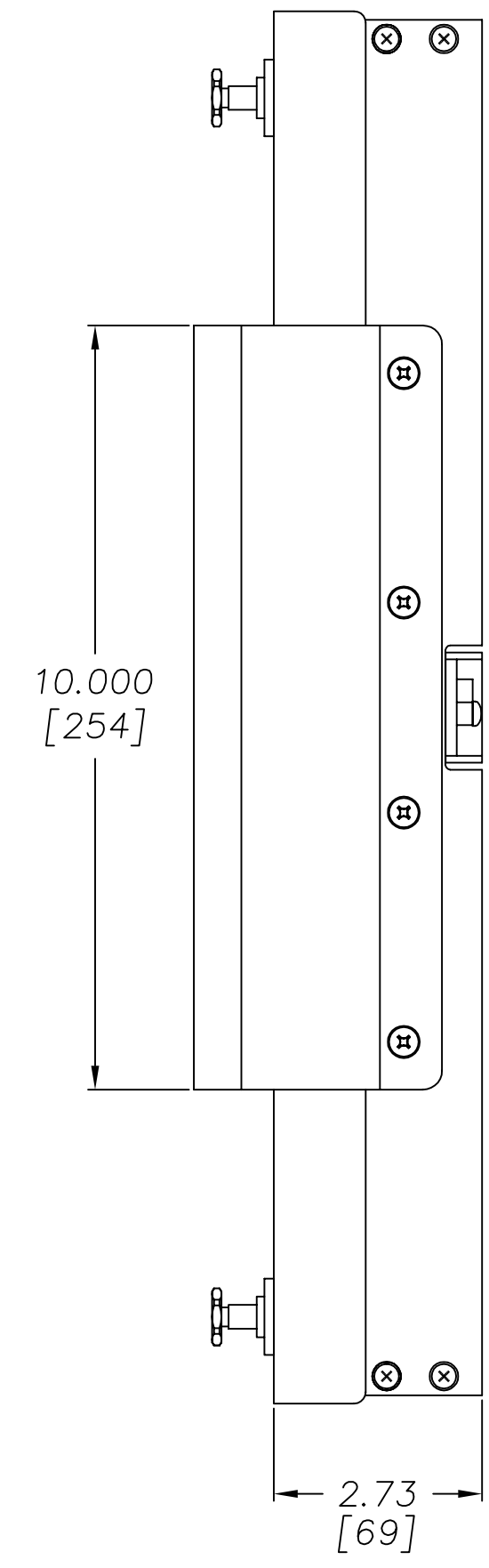
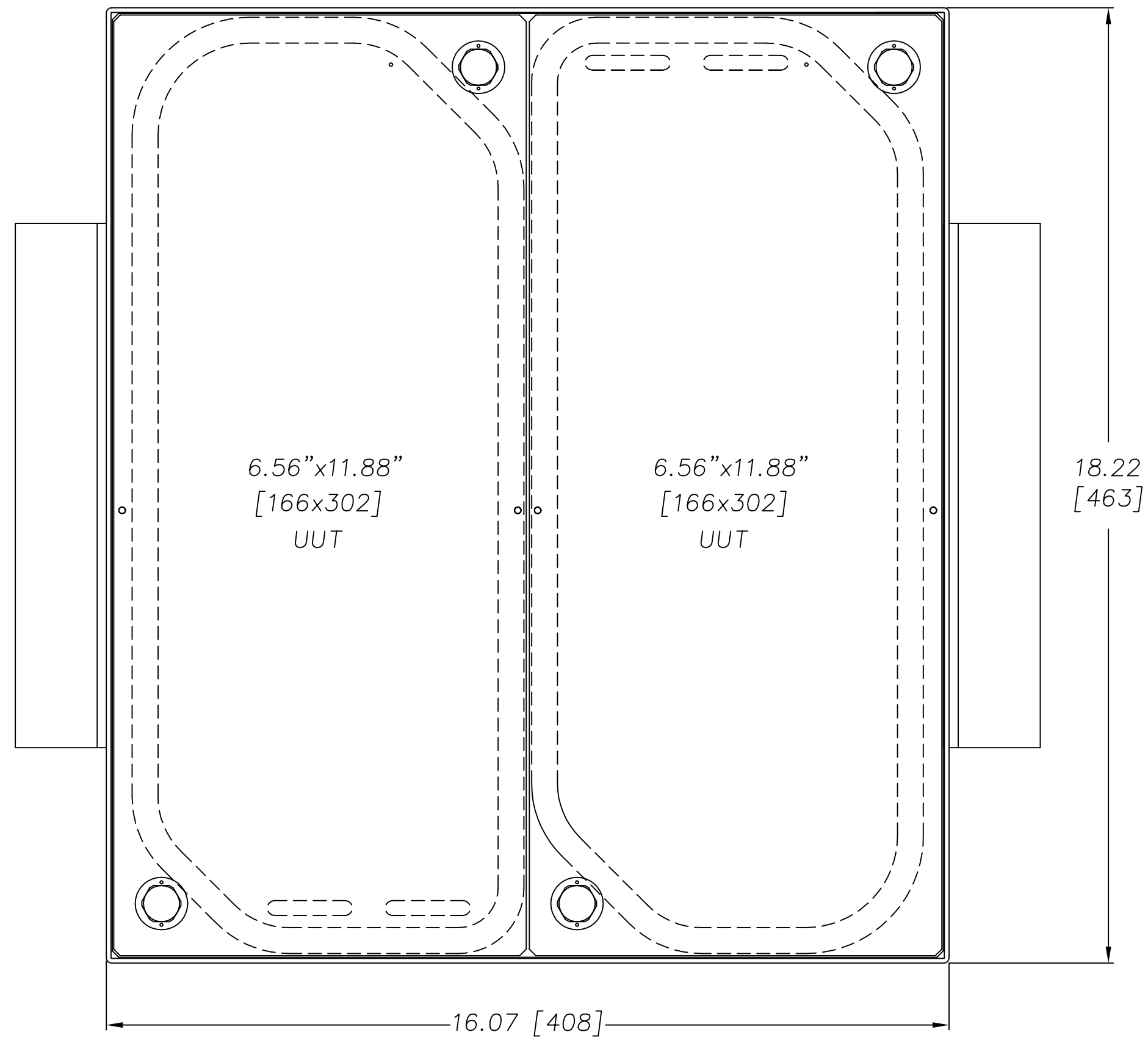


REVISIONS			
LTR	DESCRIPTION	DATE	APPROVED
A	QUICK TWIST SERIES	01/01/2007	JAG



		UNLESS OTHERWISE SPECIFIED DIMENSIONS ARE IN INCHES (MM) TOLERANCES ARE: .XX .XXX ANGLES ±.010 ±.005 ±1/2°	H+W TEST PRODUCTS SEEKONK, MASSACHUSETTS	
		MATERIAL SEE BILL OF MATERIALS	FIXTURE ASSEMBLY-ESD AGILENT 3070 SINGLE BANK	
		FINISH NONE	SIZE E	FSCM NO. DRAWING NO. RH36004
NEXT ASSY USED ON		APPLICATION	SCALE FULL	REV. A
		DO NOT SCALE DRAWING	DRAWN JAG	01/01/07 SHEET 1 OF 1

FILE NO.
RH36004A