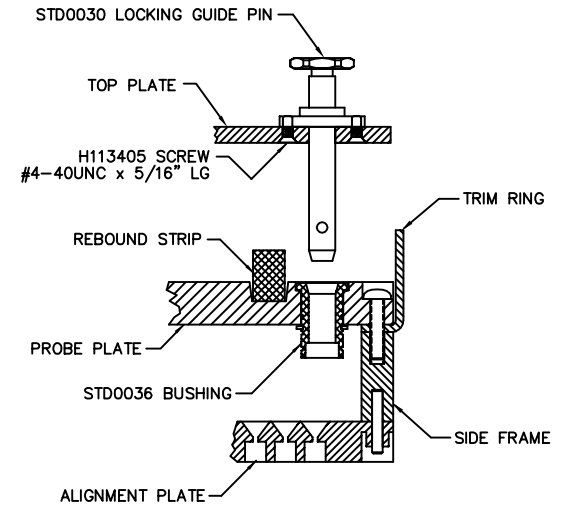
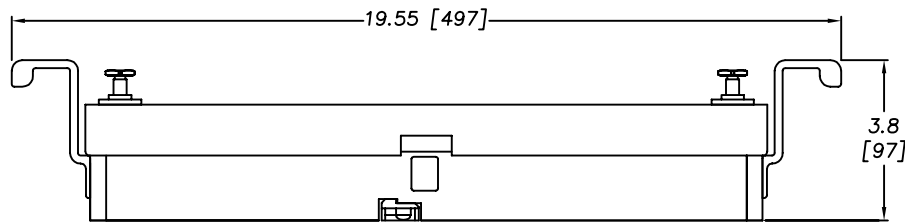
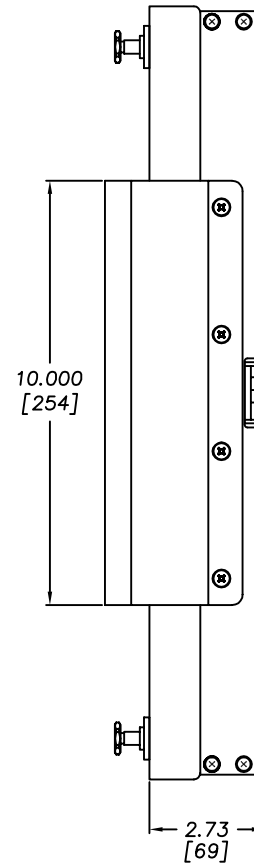
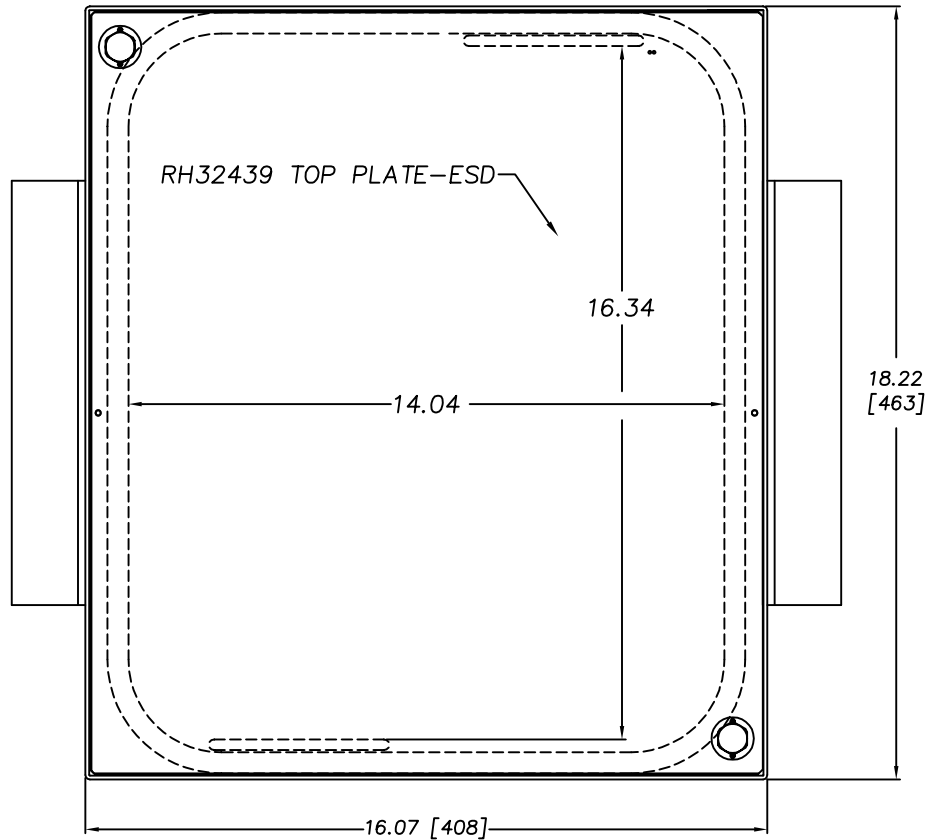


REVISIONS			
LTR	DESCRIPTION	DATE	APPROVED
A	RELEASE TO PRODUCTION	10/02/1998	JAG
B	REVISE FRAME SIDES	12/22/1999	JAG
C	REVISE HANDLES & LKG GUIDE PINS	08/12/2003	JAG



		UNLESS OTHERWISE SPECIFIED DIMENSIONS ARE IN INCHES (MM) TOLERANCES ARE:		H+W TEST PRODUCTS SEEKONK, MASSACHUSETTS	
		.XX	.XXX	ANGLES	
		±.010	±.005	± 1/2°	
		MATERIAL			
		SEE BILL OF MATERIALS			
		FINISH		SIZE	FSCM NO.
		NONE		E	
NEXT ASSY		USED ON		DRAWING NO.	
				RH32004 C	
APPLICATION		DO NOT SCALE DRAWING		SCALE	REV.
				FULL	JAG
				10/02/98	SHEET 1 OF 1

FILE NO.
RH32004A