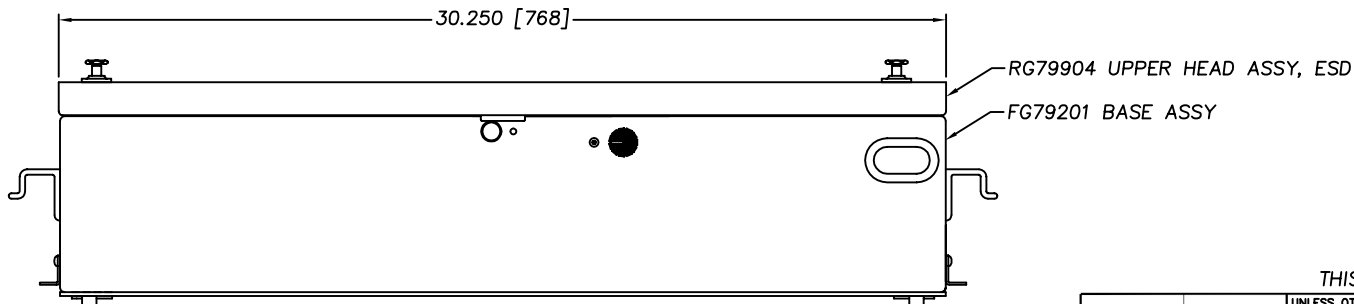
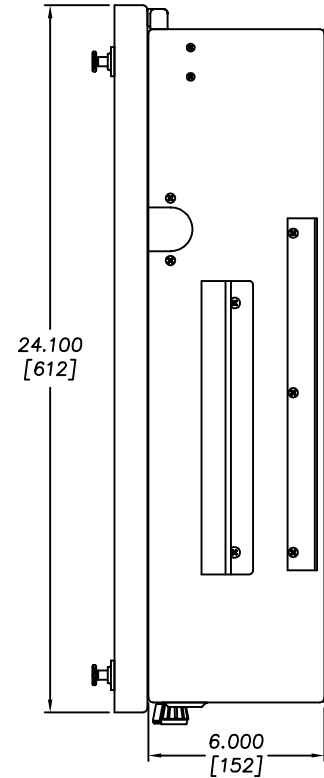
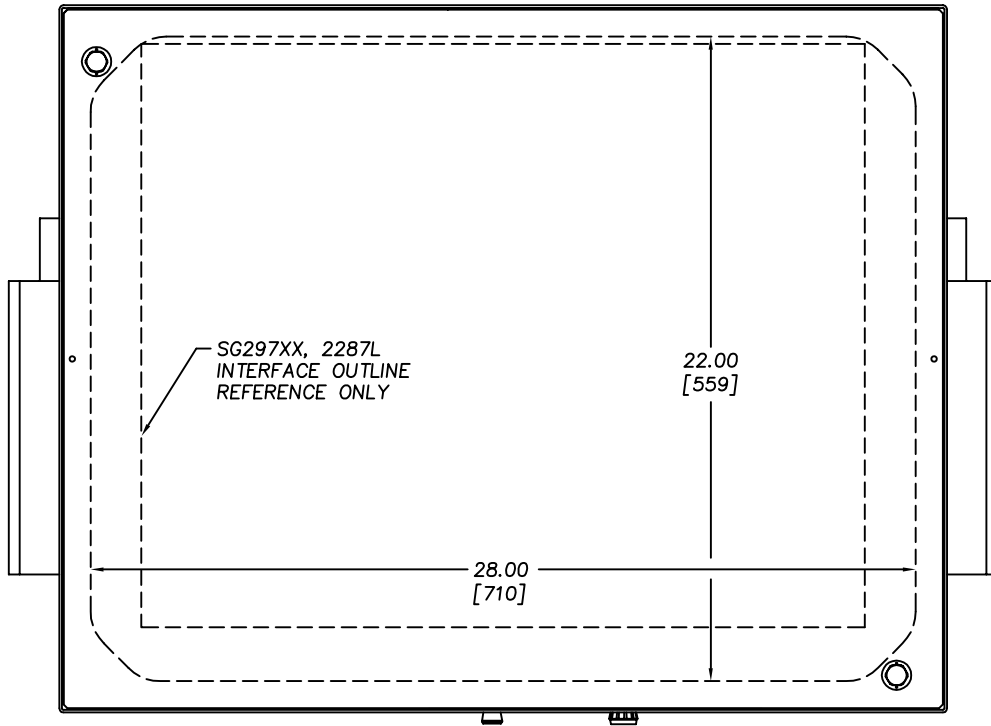


REVISIONS			
LTR	DESCRIPTION	DATE	APPROVED
A	RELEASE TO PRODUCTION	01/01/1996	JAG



THIS DRAWING IS FOR ASSEMBLY REFERENCE ONLY

UNLESS OTHERWISE SPECIFIED  
DIMENSIONS ARE IN INCHES (MM)  
TOLERANCES ARE:  
.XX .XXX ANGLES  
 $\pm 0.15$   $\pm 0.005$   $\pm 1/2^\circ$   
MATERIAL  
SEE BILL OF MATERIALS

**H+W TEST PRODUCTS**  
SEEKONK, MASSACHUSETTS

FIXTURE ASSEMBLY  
GENRAD 2287L

FINISH	NONE	SIZE	FSCM NO.	DRAWING NO.	REV.
		D		RG79004 A	
NEXT ASSY	USED ON	SCALE	FULL	DRAWN	JAG
APPLICATION	DO NOT SCALE DRAWING	SCALE	FULL	DRAWN	JAG
				09/05/1996	SHEET 1 OF 1

FILE NO.  
RG79004A