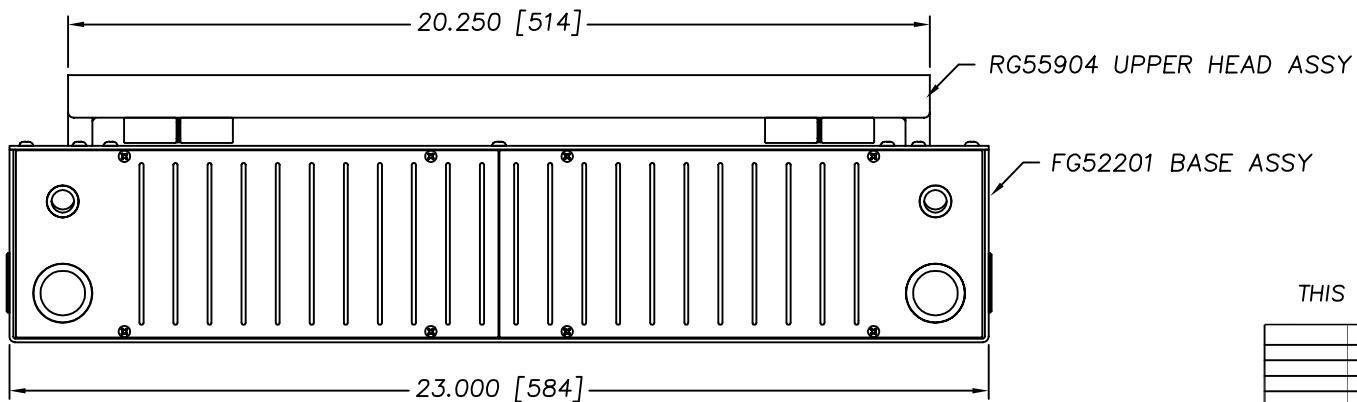
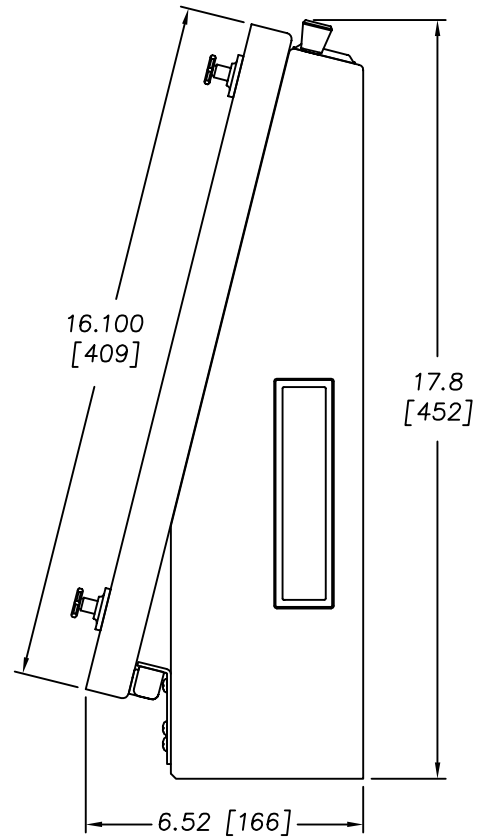
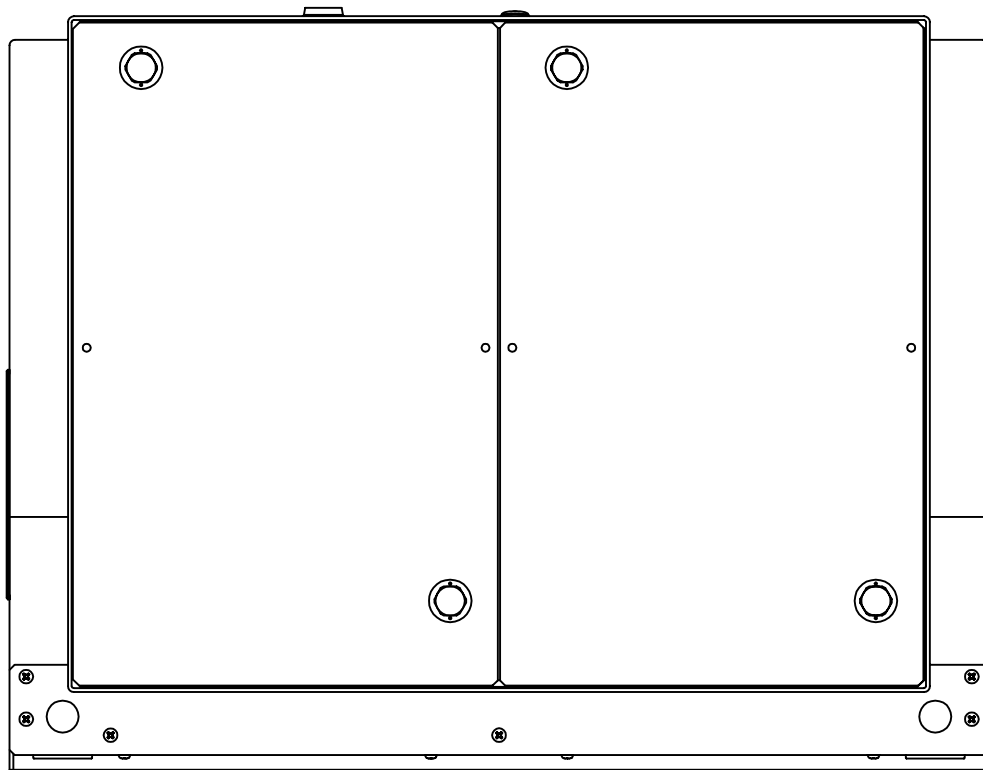


REVISIONS			
LTR	DESCRIPTION	DATE	APPROVED
A	QUICK TWIST SERIES	01/01/04	JAG



THIS DRAWING IS FOR ASSEMBLY REFERENCE ONLY

		UNLESS OTHERWISE SPECIFIED DIMENSIONS ARE IN INCHES (MM) TOLERANCES ARE: .XX .XXX ANGLES ±.015 ±.005 ±1/2°	H+W TEST PRODUCTS SHEKONK, MASSACHUSETTS	
		MATERIAL SEE BILL OF MATERIALS	FIXTURE ASSEMBLY GENRAD 2275/2276	
		FINISH	SIZE FSCM NO.	DRAWING NO.
RG55001	RG55001		E	RG55004 A
NEXT ASSY USED ON		DO NOT SCALE DRAWING	SCALE FULL DRAWN JAG	REV. 11/3/95 SHEET 1 OF 1
APPLICATION				