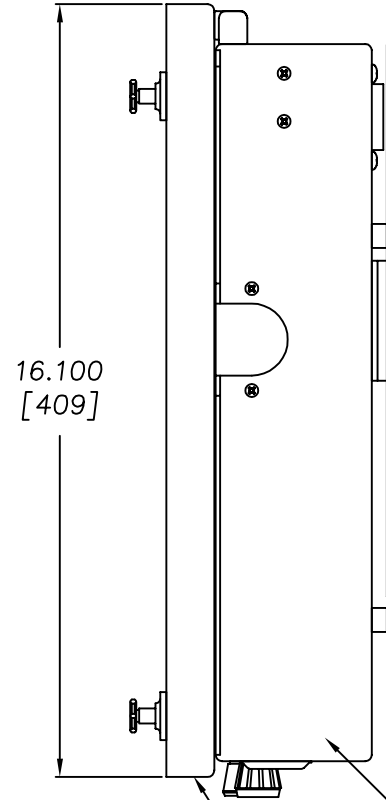
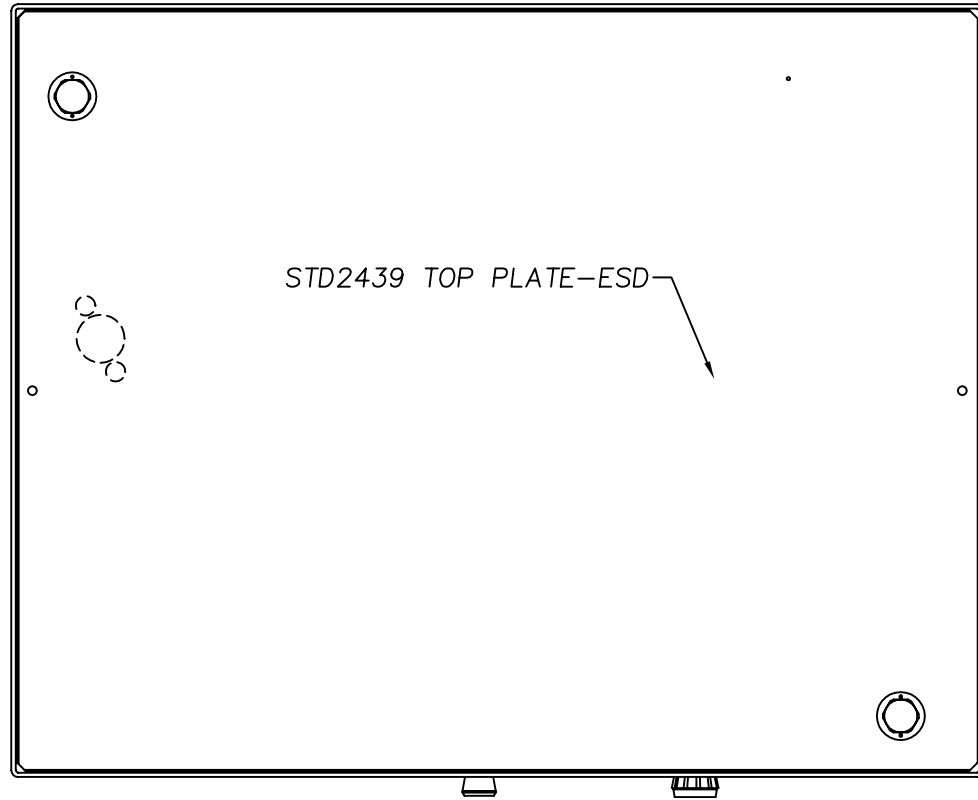
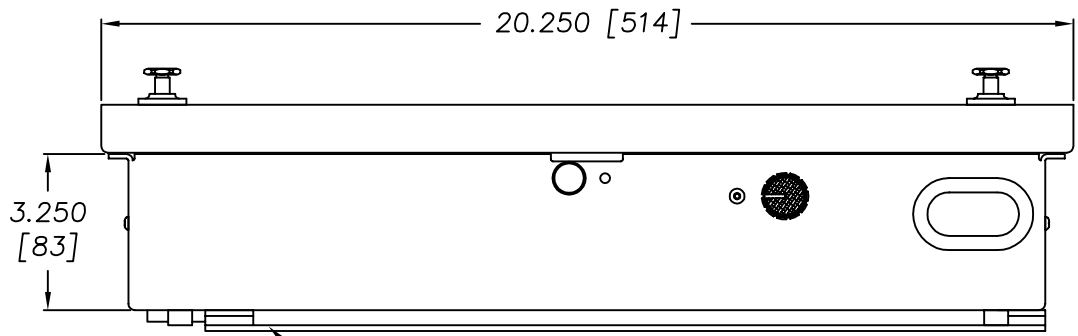


REVISIONS			
LTR	DESCRIPTION	DATE	APPROVED
A	QUICK TWIST SERIES	01/01/04	JAG



FG42201 BASE ASSY

RG22904 UPPER HEAD ASSY



FG42214 INTERFACE COVER (REFERENCE)

THIS DRAWING IS FOR ASSEMBLY REFERENCE ONLY.

		UNLESS OTHERWISE SPECIFIED DIMENSIONS ARE IN INCHES (MM) TOLERANCES ARE: .XX .XXX ANGLES ±.015 ±.005 ±1/2°	H+W TEST PRODUCTS SEEKONK, MASSACHUSETTS	
		MATERIAL SEE BILL OF MATERIALS	FIXTURE ASSEMBLY GENRAD 2283/2284	
		FINISH NONE	SIZE E	REV. A
NEXT ASSY	USED ON	APPLICATION	SCALE FULL	DRAWING NO. RG42004 A
		DO NOT SCALE DRAWING	DRAWN JAG	11/9/95 SHEET 1 OF 1

FILE NO.
RG42004A