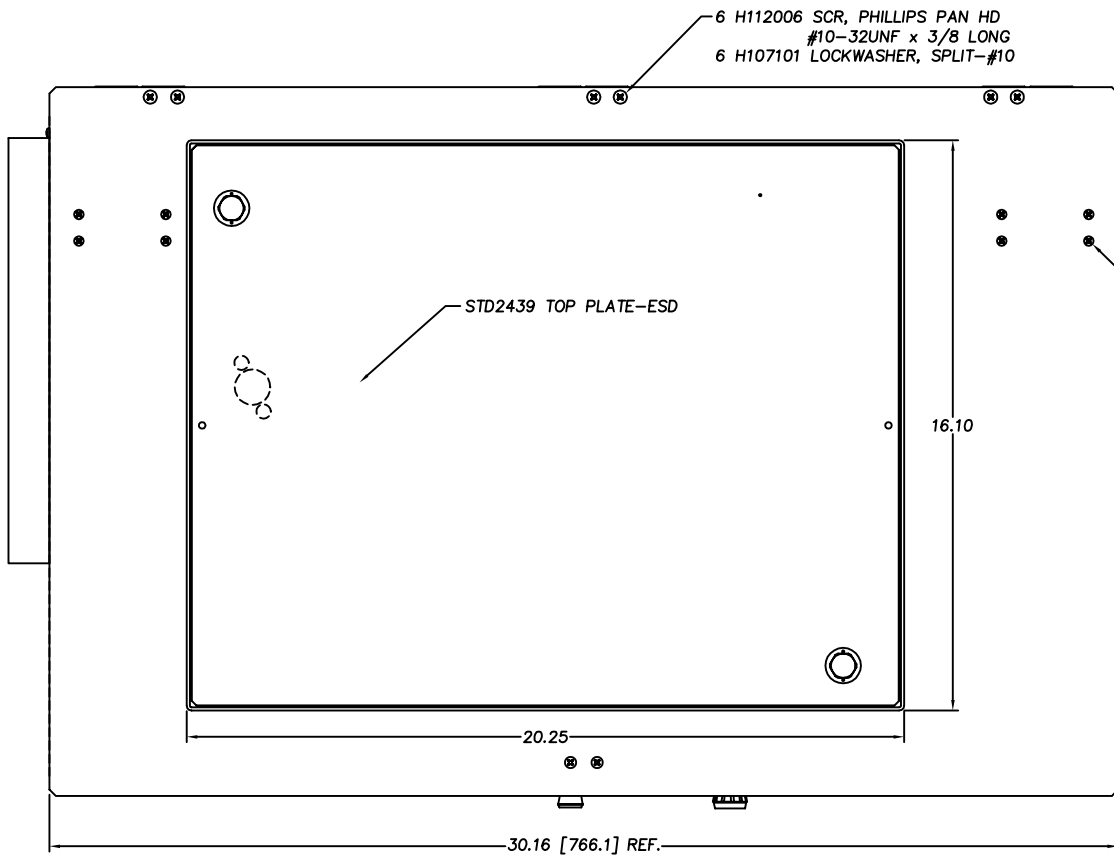
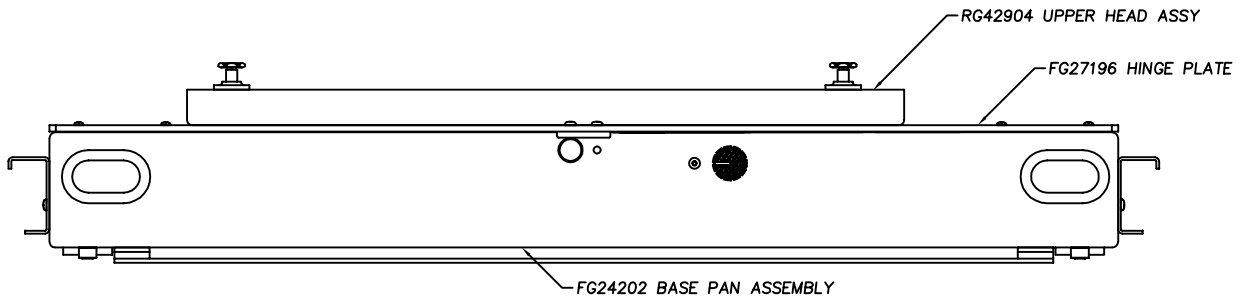
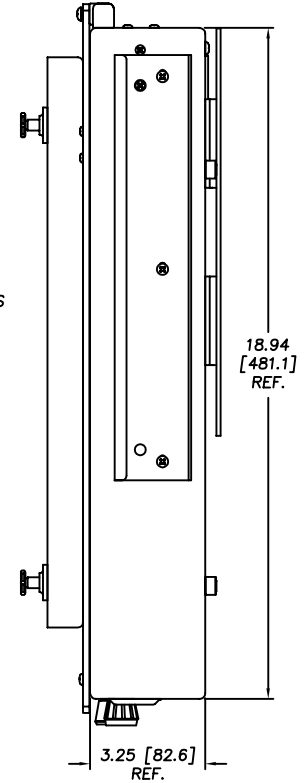


REVISIONS			
LTR	DESCRIPTION	DATE	APPROVED
A	QUICK TWST SERIES	01/01/04	JAG



- 8 H111608 SCR, PHILLIPS PAN HD
#6-32UNC x 1/2 LONG
- 8 H107061 LOCKWASHER, SPLIT-#6
- 8 H102064 NUT, HEX #6-32UNC KEPS



		UNLESS OTHERWISE SPECIFIED DIMENSIONS ARE IN INCHES (MM) TOLERANCES ARE: .XX .XXX ANGLES ±.015 ±.005 ±1/2°	H+W TEST PRODUCTS SEEKONK, MASSACHUSETTS	
		MATERIAL SEE BILL OF MATERIALS	FIXTURE ASSEMBLY GENRAD 2272/228X	
		FINISH NONE	SIZE D	FSCM NO. DRAWING NO. REV.
FILE NO. RG27704A	NEXT ASSY USED ON APPLICATION	DO NOT SCALE DRAWING	SCALE FULL DRAWN JAG	3/9/99 SHEET 1 OF 1