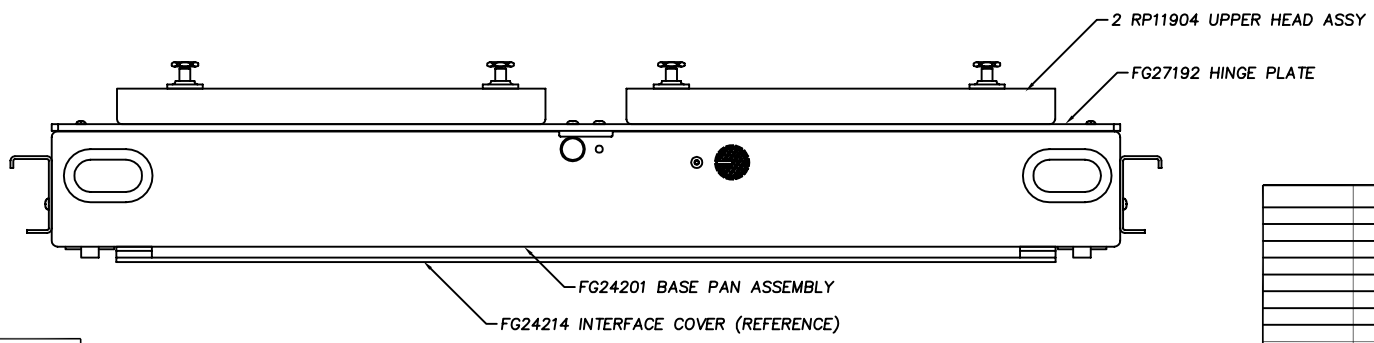
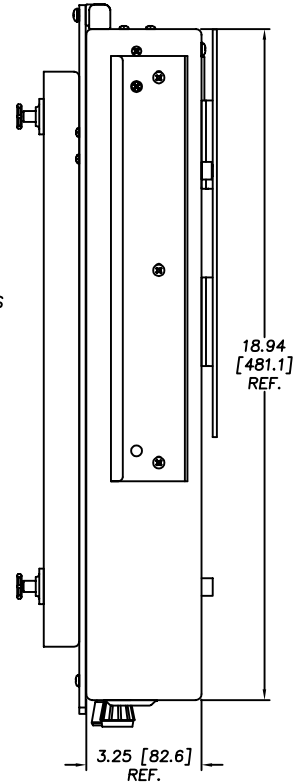
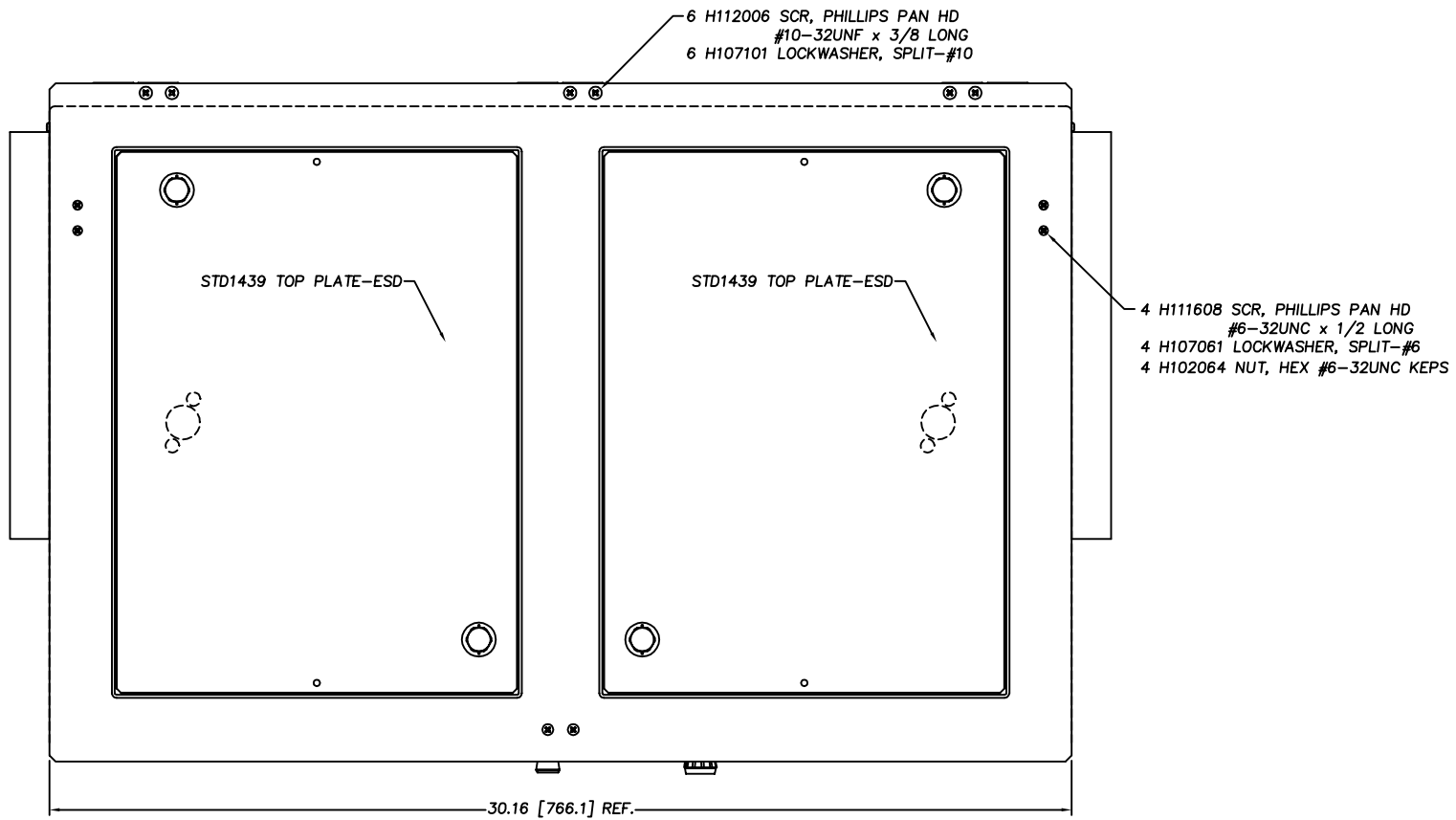


REVISIONS			
LTR	DESCRIPTION	DATE	APPROVED
A	QUICK TWIST SERIES	01/01/04	JAG



		UNLESS OTHERWISE SPECIFIED DIMENSIONS ARE IN INCHES (MM) TOLERANCES ARE: .XX .XXX ANGLES ±.015 ±.005 ±1/2°		H+W TEST PRODUCTS SEEKONK, MASSACHUSETTS	
		MATERIAL: SEE BILL OF MATERIALS			
		FINISH: NONE		SIZE: D	FSCM NO.:
NEXT ASSY USED ON APPLICATION		DO NOT SCALE DRAWING		DRAWING NO. RG27004 A	REV. A
		SCALE FULL DRAWN JAG		3/9/99	SHEET 1 OF 1

FILE NO.
RG27004A