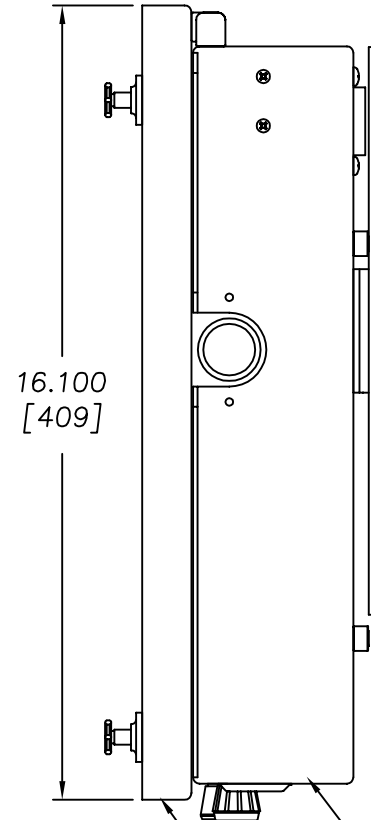
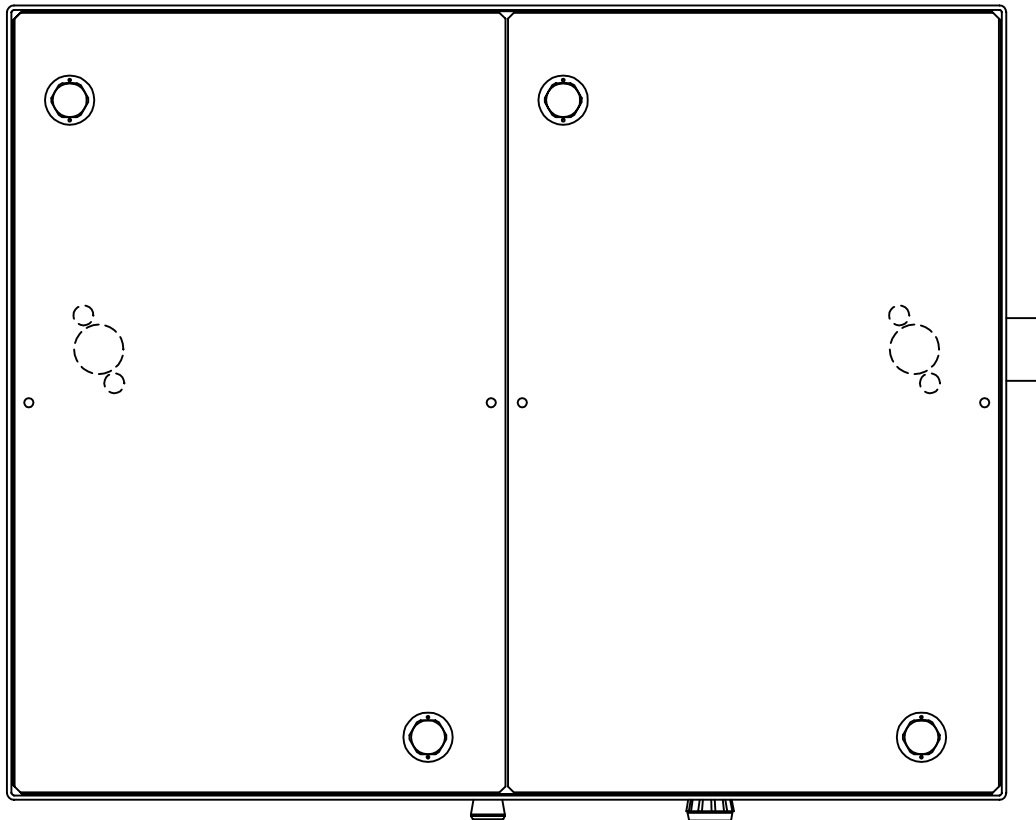


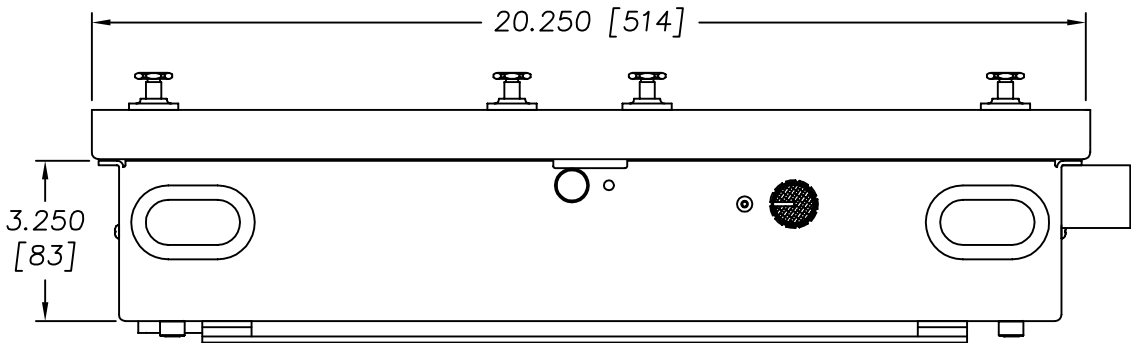
REVISIONS			
LTR	DESCRIPTION	DATE	APPROVED
A	QUICK TWIST SERIES	01/01/04	DLS



16.100  
[409]

FG25201 BASE ASSY

RG25904 UPPER HEAD ASSY



20.250 [514]

3.250  
[83]

THIS DRAWING IS FOR ASSEMBLY REFERENCE ONLY.

		UNLESS OTHERWISE SPECIFIED DIMENSIONS ARE IN INCHES (MM) TOLERANCES ARE: .XX .XXX ANGLES ±.015 ±.005 ± 1/2"		H+W TEST PRODUCTS SEEKONK, MASSACHUSETTS	
		MATERIAL SEE BILL OF MATERIALS		FIXTURE ASSEMBLY GENRAD 2272/228X	
		FINISH NONE		SIZE E	FSCM NO.
		NEXT ASSY USED ON		DRAWING NO. RG25004 A	
		APPLICATION		SCALE FULL	DRAWN JAG
		DO NOT SCALE DRAWING		11/4/95	SHEET 1 OF 1

FILE NO.  
RG25004A