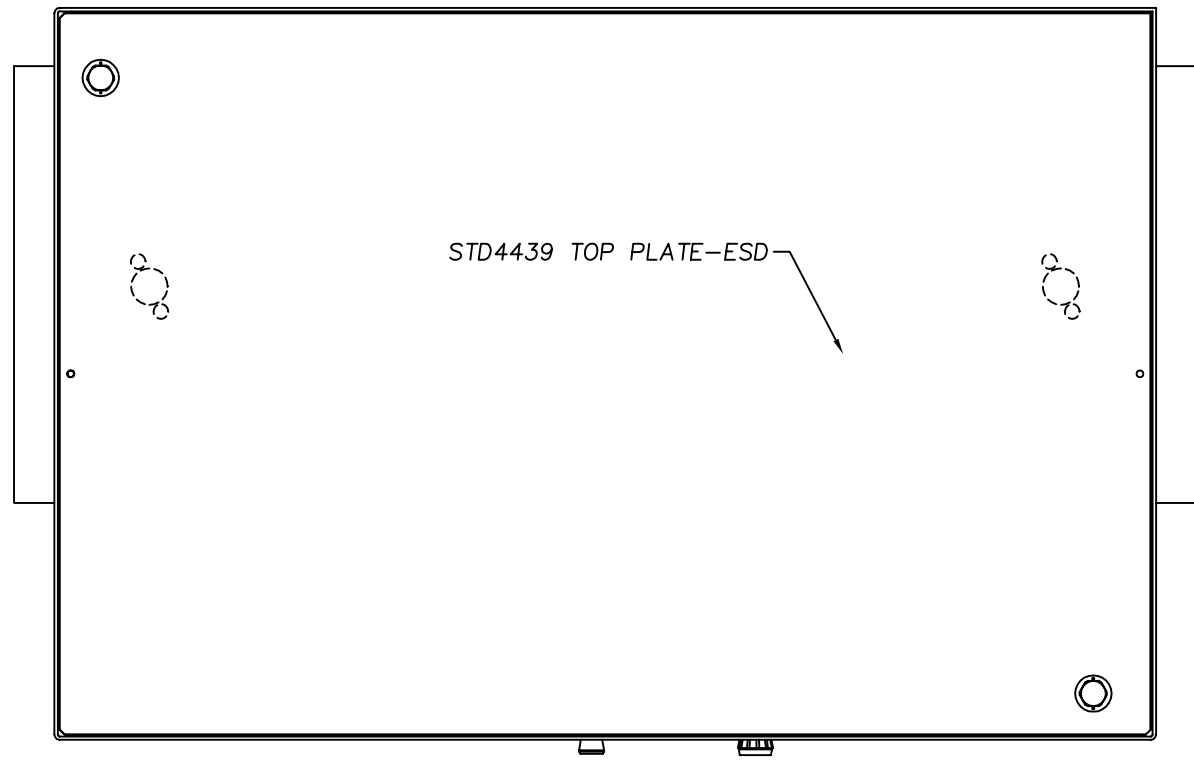
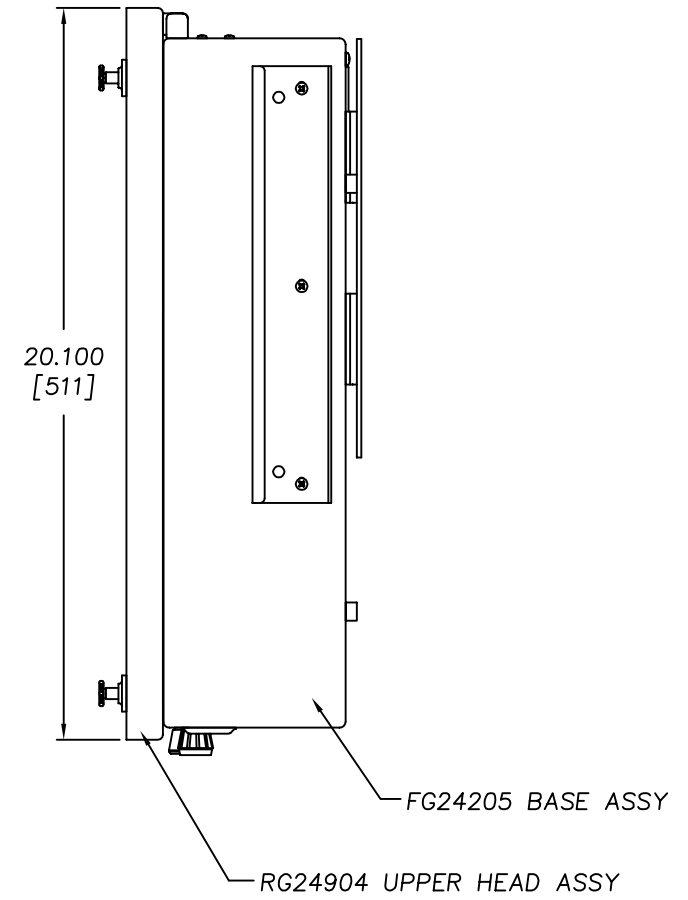


REVISIONS			
REV.	DESCRIPTION	DATE	APPROVED
A	QUICK TWIST SERIES	01/01/04	JAG



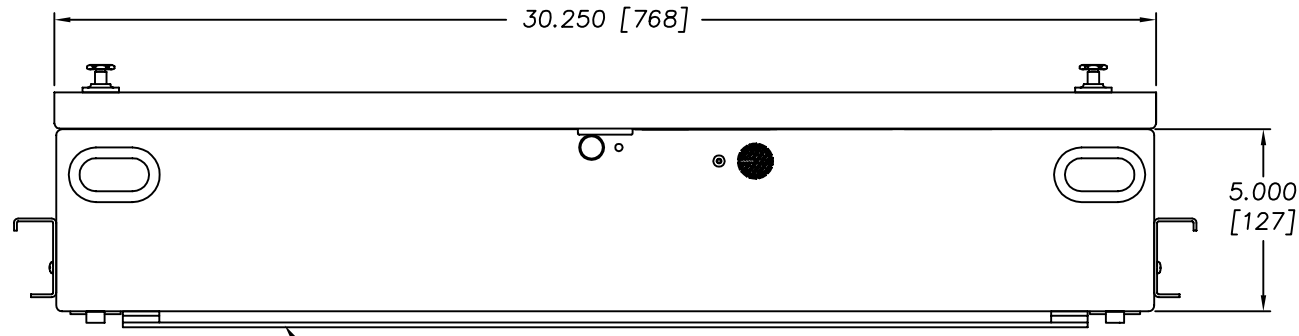
STD4439 TOP PLATE-ESD



20.100
[511]

FG24205 BASE ASSY

RG24904 UPPER HEAD ASSY



30.250 [768]

5.000
[127]

FG24214 INTERFACE COVER (REFERENCE)

		UNLESS OTHERWISE SPECIFIED DIMENSIONS ARE IN INCHES (MM) TOLERANCES ARE:		H+W TEST PRODUCTS SEEKONK, MASSACHUSETTS	
		.XX	.XXX	ANGLES	
		±.015	±.005	±1/2°	
		MATERIAL		FIXTURE ASSEMBLY	
		SEE BILL OF MATERIALS		GENRAD 2272/228X	
		FINISH		SIZE	FSCM NO.
		NONE		E	
NEXT ASSY		USED ON		DRAWING NO.	
				RG24054 A	
APPLICATION		DO NOT SCALE DRAWING		SCALE	FULL
				DRAWN	JAG
				DATE	11/01/1995
				SHEET	1 OF 1

FILE NO.
RG24054A