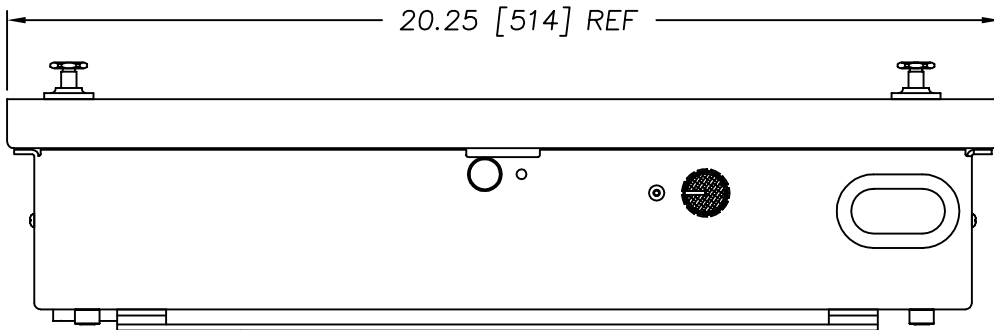
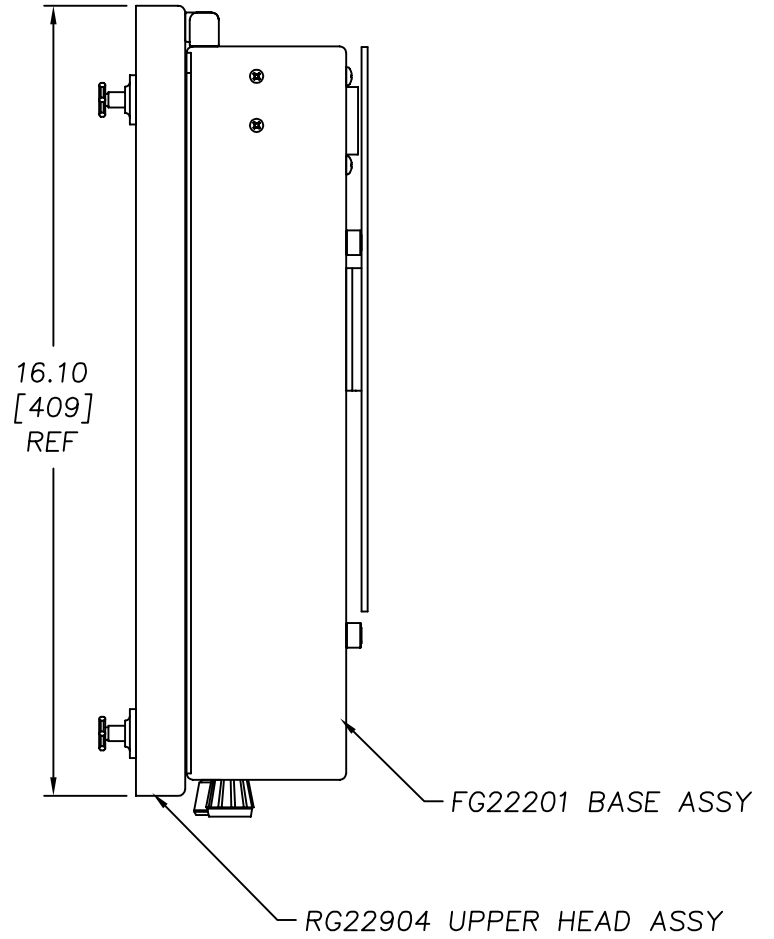
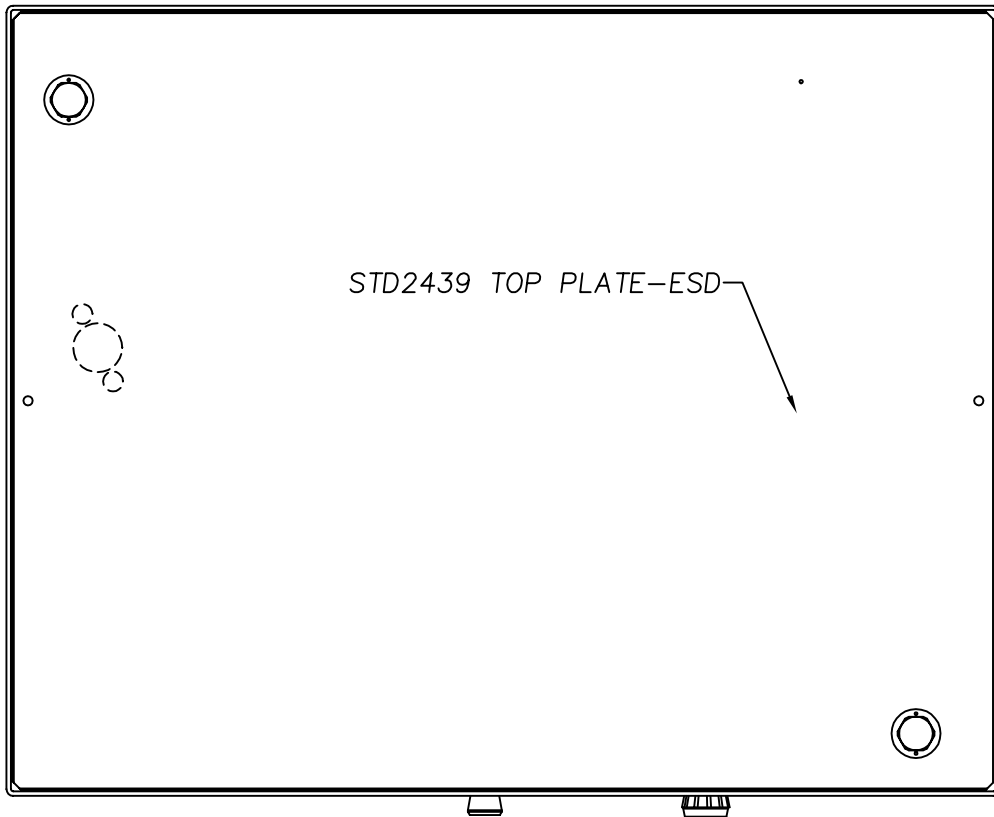


REVISIONS			
LTR	DESCRIPTION	DATE	APPROVED
A	QUICK TWIST SERIES	01/01/04	JAG



FG22214 I/F COVER (REFERENCE)

THIS DRAWING IS FOR ASSEMBLY REFERENCE ONLY.

		UNLESS OTHERWISE SPECIFIED DIMENSIONS ARE IN INCHES (MM) TOLERANCES ARE: .XX .XXX ANGLES ±.015 ±.005 ±1/2°		<b>H+W TEST PRODUCTS</b> SEEKONK, MASSACHUSETTS	
		MATERIAL SEE BILL OF MATERIALS		FIXTURE ASSEMBLY GENRAD 2272/228X	
		FINISH NONE		SIZE E	FSCM NO.
				DRAWING NO. RG22004 A	
NEXT ASSY		USED ON		REV.	
APPLICATION		DO NOT SCALE DRAWING		SCALE FULL	DRAWN JAG
				11/9/95	SHEET 1 OF 1

FILE NO.  
RG22004A