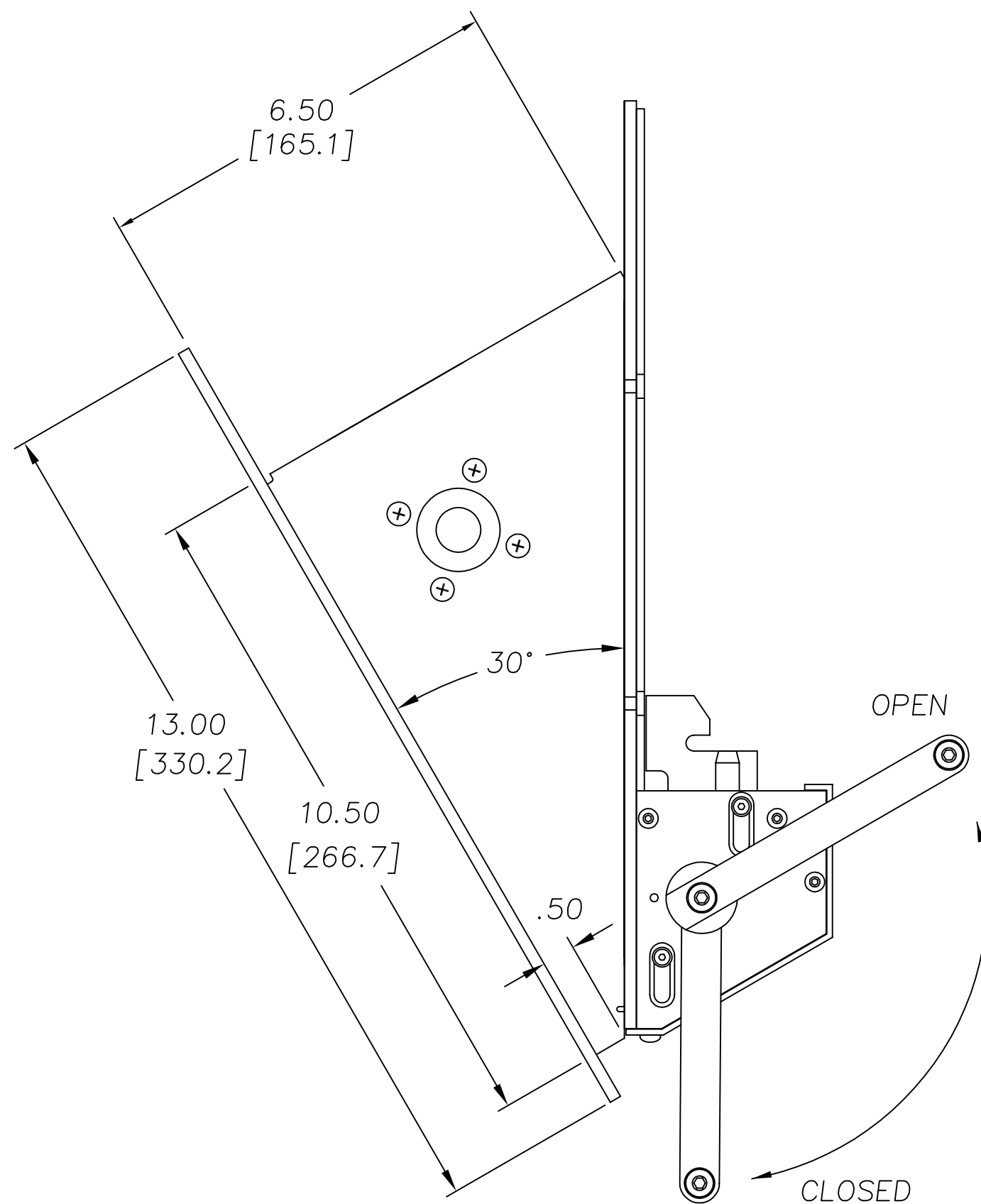
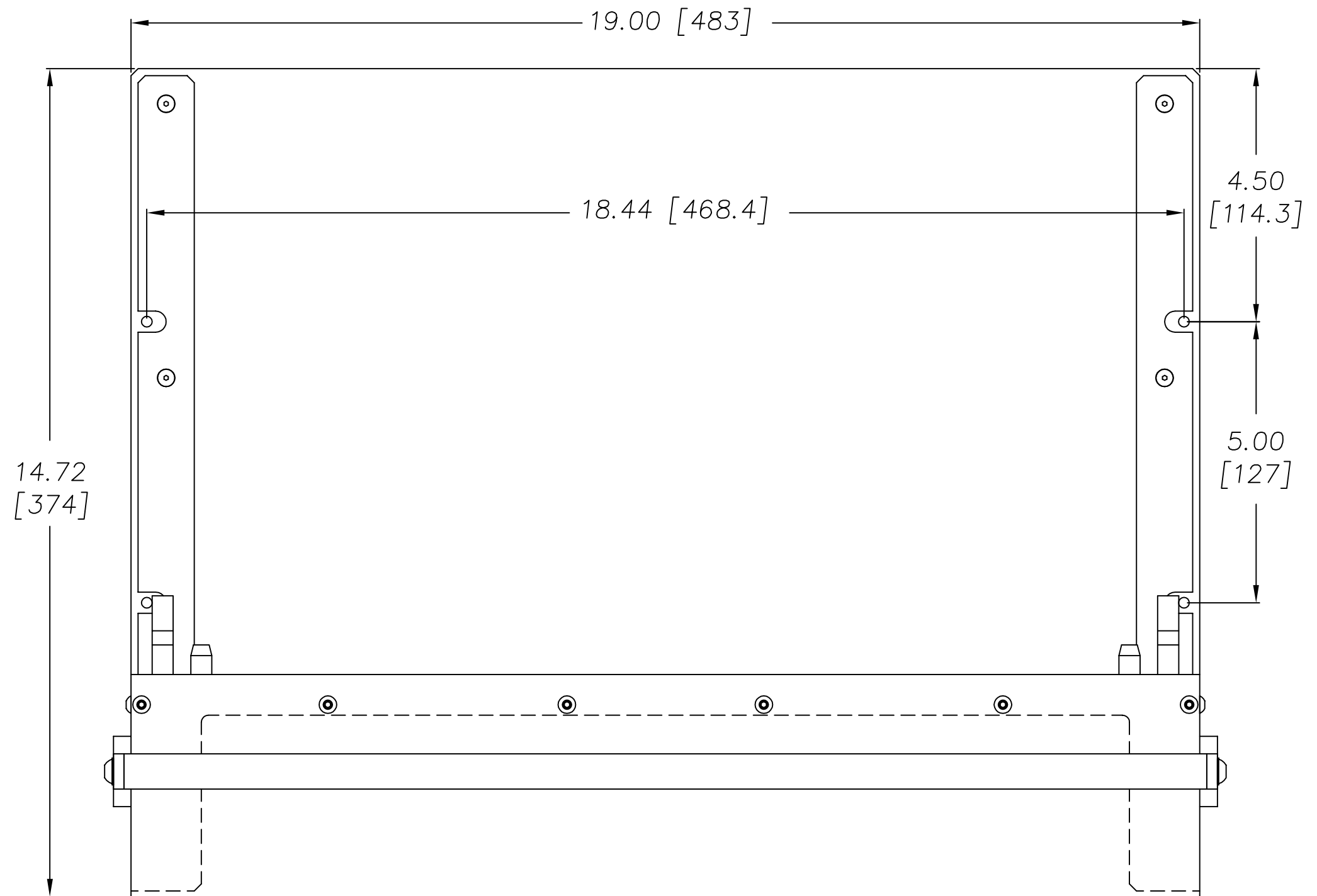
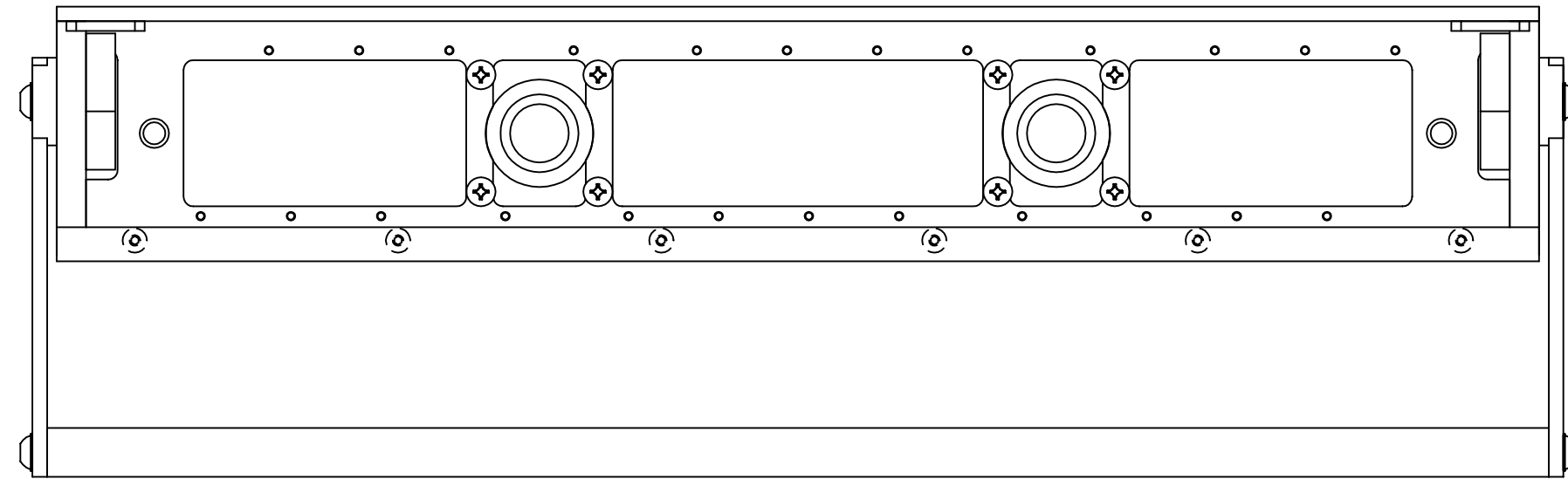


| REVISIONS | | | |
|-----------|-----------------------|---------|----------|
| LTR | DESCRIPTION | DATE | APPROVED |
| A | RELEASE TO PRODUCTION | 5/27/97 | JAG |



THIS DRAWING IS FOR CUSTOMER REFERENCE ONLY

UNLESS OTHERWISE SPECIFIED
DIMENSIONS ARE IN INCHES (MM)
TOLERANCES ARE:
.XX .XXX ANGLES
±.015 ±.005 ±1/2°

H+W TEST PRODUCTS
SEEKONK, MASSACHUSETTS

30° RECEIVER ASSY
GENRAD 2270/2271

MATERIAL
SEE BILL
OF MATERIALS

FINISH
NONE

| | | | |
|------|----------|-------------|------|
| SIZE | FSCM NO. | DRAWING NO. | REV. |
| E | | RG09330 | A |

| | | | | | |
|-------------|----------------------|------------|-----------|---------|--------------|
| APPLICATION | DO NOT SCALE DRAWING | SCALE FULL | DRAWN JAG | 5/27/97 | SHEET 1 OF 1 |
|-------------|----------------------|------------|-----------|---------|--------------|

FILE NO.
RG09330A