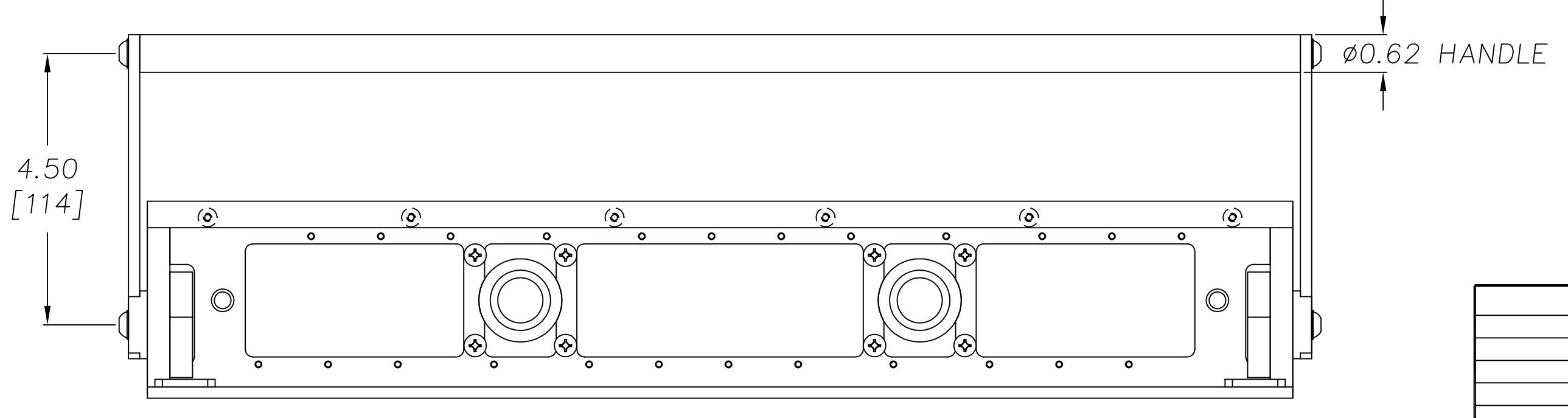
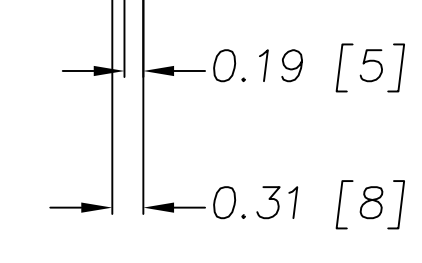
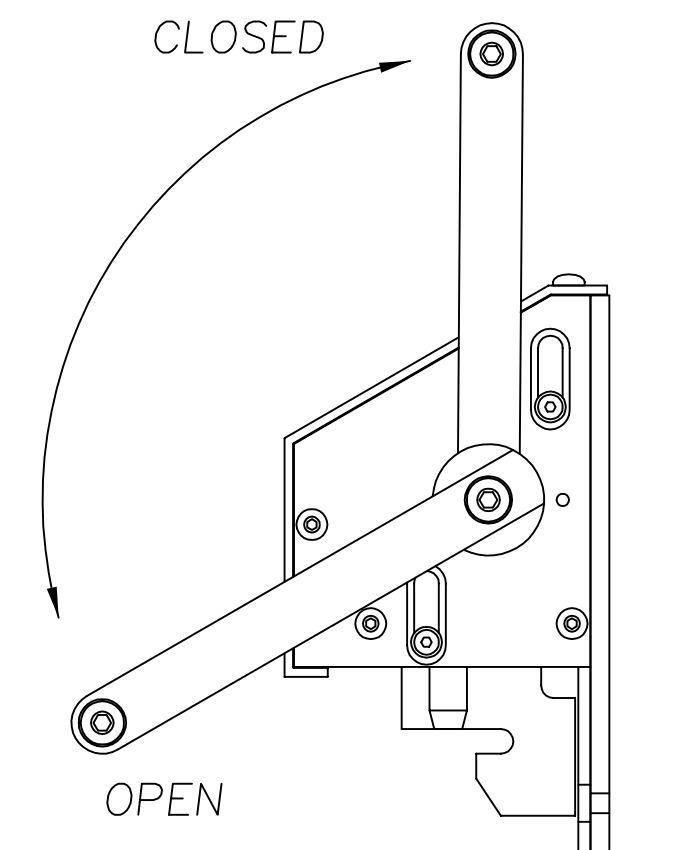
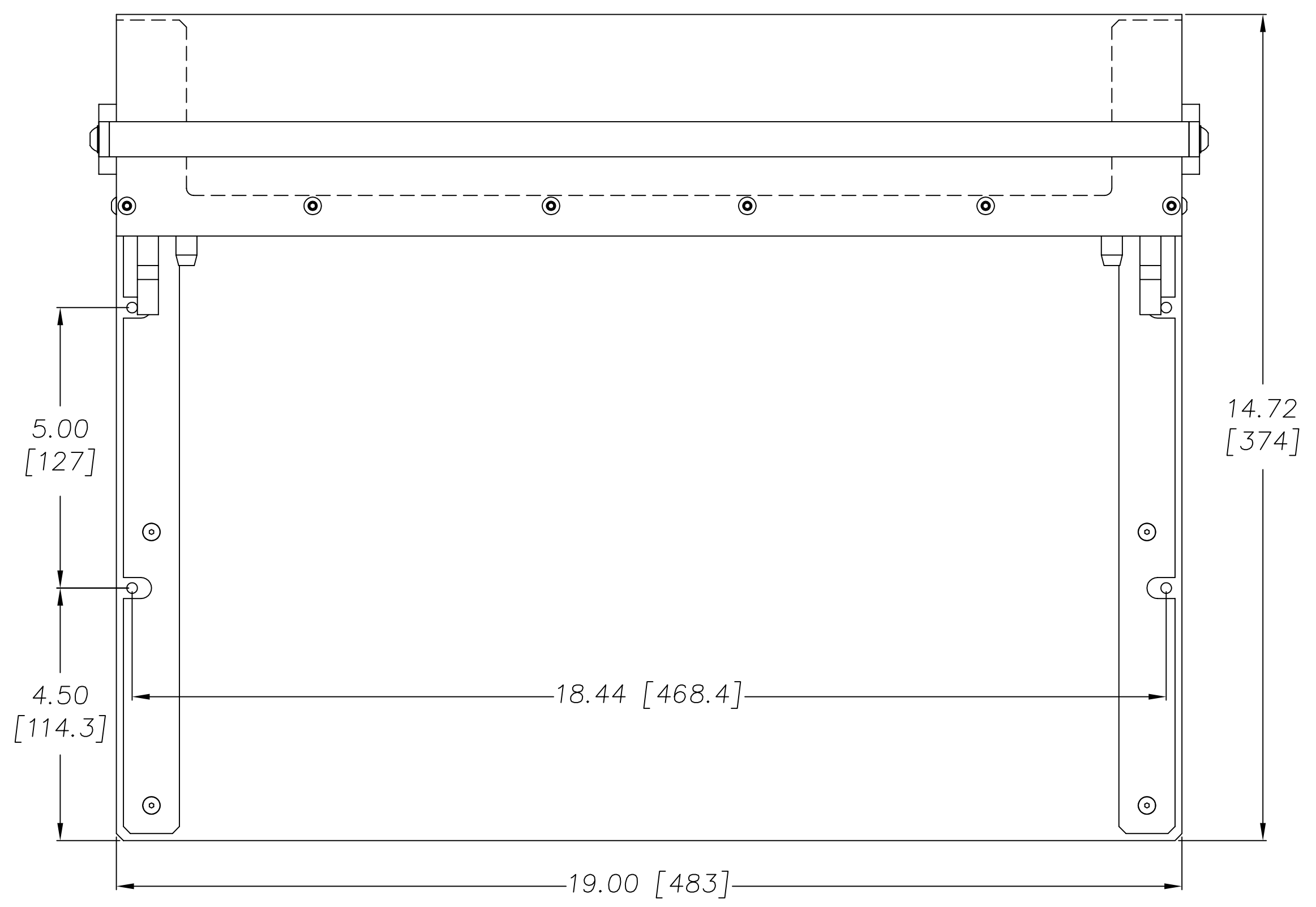


REVISIONS			
LTR	DESCRIPTION	DATE	APPROVED
A	RELEASE TO PRODUCTION	10/27/99	JAG



		UNLESS OTHERWISE SPECIFIED DIMENSIONS ARE IN INCHES (MM) TOLERANCES ARE: .XX .XXX ANGLES $\pm 0.15$ $\pm 0.005$ $\pm 1/2^\circ$	<b>H+W TEST PRODUCTS</b> SEEKONK, MASSACHUSETTS	
		MATERIAL SEE BILL OF MATERIALS	RECEIVER ASSEMBLY GENRAD 2270	
		FINISH NONE	SIZE E	DRAWING NO. RG09001 A
NEXT ASSY	USED ON	APPLICATION	SCALE FULL	REV. 1
		DO NOT SCALE DRAWING	DRAWN JAG	03/03/99 SHEET 1 OF 1

FILE NO.  
RG09001A